

STACK HEIGHTS FOR DN 350 to 2000

Max no. of layers of C30 and K9 pipes in a stack

DN	Pyramid stack		Uniform stack	
	C30	K9	C30	K9
350	18	18	12	12
400	11	16	11	11
450	9	14	9	10
500	8	12	8	8
600	6	10	6	7
700		7		5
800		6		4
900		5		4
1000		3		3
1100		3		3
1200		2		2
1400		2		2
1500		2		2
1600		2		1
1800		2		1
2000		2		1

STANDARD C30 and K9 pipes

Unit length m	Unit mass kg	
	C30	K9
6	407	475
6	476	564
6	562	667
6	659	767
6	895	1001
6,955		1515
6,95		1856
6,95		2222
6,95		2621
8,19		3604
8,185		4153
8,17		5543
8,16		6236
8,16		6942
8,15		8430
8,13		10094

WEDGED STACKS

DN	Trapezoidal wedges				Base timbers			
	Gb mm	Pb mm	H mm	Th mm	A mm	B mm	C m	D m
350	330	170	80	80	100	100	5	4,5
400	360	200	80	80	100	100	5	4,5
450	400	200	100	80	100	100	5	4,5
500	430	230	100	80	100	100	5	4,5
600	490	250	120	80	100	100	5	4,5
700	570	330	120	100	120	100	5	5,5
800	640	340	150	100	120	100	5	5,5
900	710	410	150	100	130	120	5	5,5
1000	780	380	200	100	130	120	5	5,5
1100	850	450	200	100	130	120	5	6,5
1200	910	510	200	120	150	120	5	6,5
1400	1010	610	200	120	150	120	5	6,5
1500	1080	580	250	120	150	120	5	6,5
1600	1140	540	300	120	150	120	5	6,5
1800	1300	700	300	150	180	120	5	6,5
2000	1350	750	300	150	180	120	5	6,5



SAINT-GOBAIN PAM LAYING RECOMMENDATIONS

- STORAGE
- HANDLING
- BACKFILL
- STANDARD JOINT
- STANDARD Vi JOINT
- STANDARD Ve JOINT
- UNIVERSAL Vi JOINT
- STANDARD V+i JOINT
- UNIVERSAL Ve JOINT DN 100 to 1200 MM
- EXPRESS JOINT
- EXPRESS Vi JOINT
- PIPE CUTTING
- WELD BEAD
- ANCHOR BLOCKS
- ANCHORING
- EXTERNAL COATING REPAIRS
- INTERNAL LINING REPAIRS
- PE SLEEVE INSTALLATION
- HYDRAULIC TESTING
- ASSEMBLY EQUIPMENT
- HORIZONTAL DIRECTIONAL DRILLING
- CONTACTS



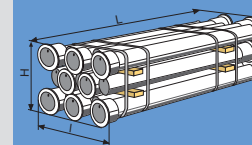
MARKETING DEPARTMENT
21 AVENUE CAMILLE CAVALLIER
54705 PONT A MOUSSON CEDEX
FRANCE
TEL: 03.83.80.73.50
www.pamline.fr

These recommendations are based upon our knowledge of the products and their use. It is the contractor's responsibility to ensure that installation is carried out according to the best rules of practice.



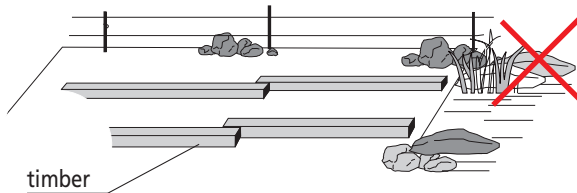
LAYING RECOMMENDATIONS

Storage



AEP-MEM-15A VERSION 2007 - 4000 EX

STORAGE AREA LAYOUT



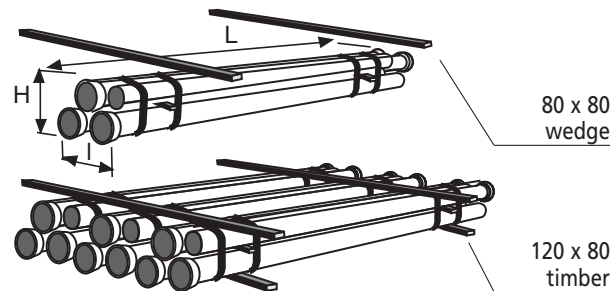
Avoid unstable or sloping areas.

Avoid:

- swampy areas,
- polluted land,
- laying pipes directly on the ground.

DN 60 to 300 : Pipes delivered in bundles

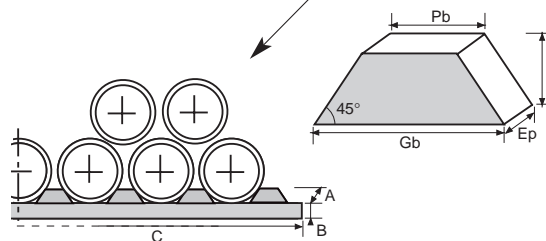
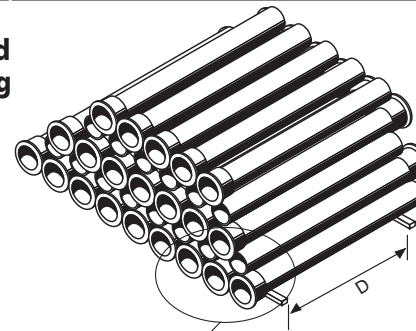
Stack the bundles in perfect squares, following the maximum heights shown in the table below.



Think of your safety! Always make sure that the bundle strap is tight. Never lift a bundle with hooks or suction pads. Always use slings that **pass under the bundle**. (The strap is not designed to withstand the bundle load).

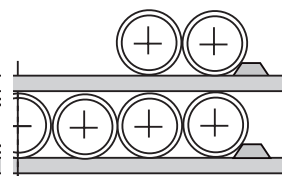
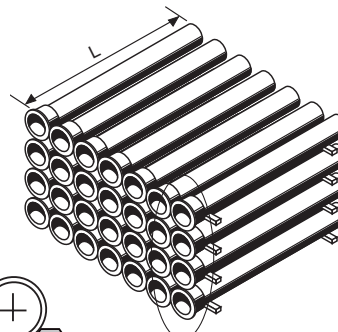
DN 350 to 2000 : pipes delivered in bulk

Pyramid stacking



Nail wedges to the timbers on the ground (at the ends and between pipes).

Uniform stacking with timbers



Nail wedges to the ends of all intermediate timbers used.

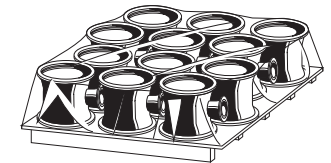
MAXIMUM NUMBER OF BUNDLES IN A STACK

DN	No. of bundles	Bundle composition and dimensions					Bundle mass (kg)
		No. of layers x No. of pipes	L m	I m	H m		
60	6	4 x 6	6,3	0,54	0,49	1411	
80	6	3 x 5	6,3	0,57	0,42	1148	
100	6	3 x 5	6,3	0,67	0,50	1398	
125	5	3 x 4	6,3	0,65	0,58	1380	
150	5	3 x 3	6,3	0,59	0,66	1272	
200	5	2 x 3	6,3	0,75	0,56	1190	
250	4	2 x 2	6,3	0,63	0,67	1044	
300	4	2 x 2	6,3	0,74	0,77	1319	

STORAGE OF FITTINGS

Arrange storage by type of fitting and DN

Example: collars left in their plastic delivery wrapping



STORAGE OF GASKETS

Avoid:

- removing the gaskets from their bag;
- exposing gaskets to light,
- high storage temperatures.



Keep storage time to a minimum.

In the event of frost, raise gasket temperature to 20°C so they gain their original flexibility (by soaking them in warm water for example).