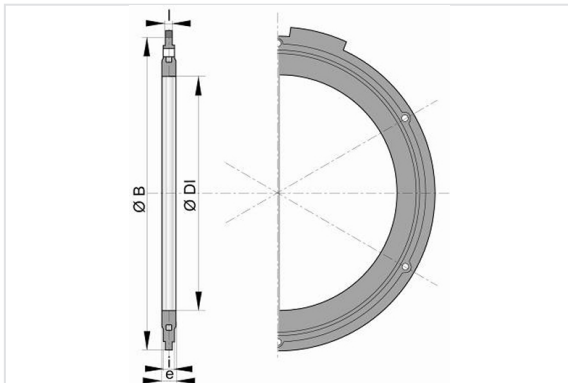
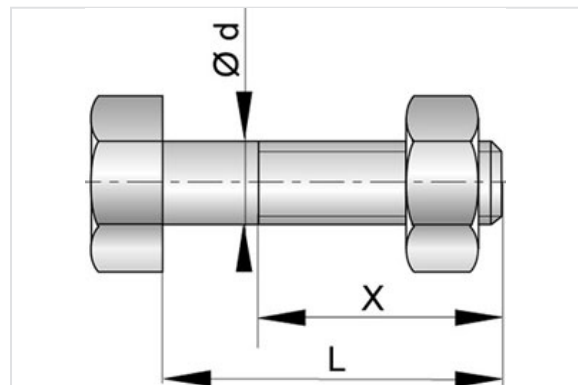


Flanschdichtungssatz

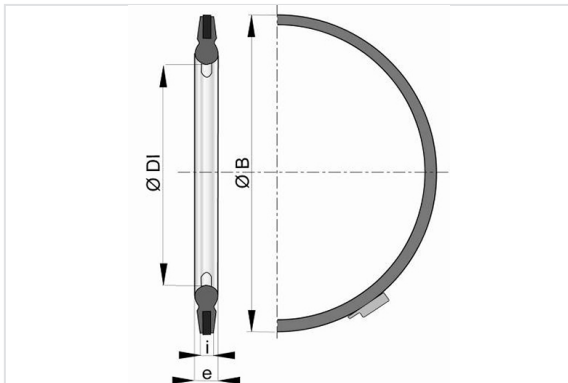
Flachdichtung DN40 bis DN300



Schrauben



Flachdichtung mit Stahleinlage DN350 bis 2000

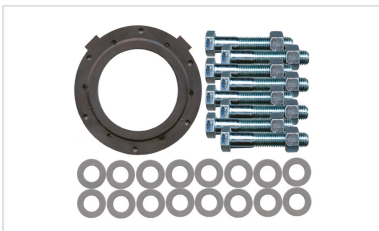


The flanged joint assembly has a gasket with metallic inserts, metallised steel bolts and nuts.

	PN 10	PN 16	PN 25	PN 40
DN	Artikel-Nr.	Artikel-Nr.	Artikel-Nr.	Artikel-Nr.
40 mm	JBA40GV1-E12	JBA40GV1-E12	JBA40GV1-E12	JBA40GV1-E12
50 mm	JBA50GV1-E12	JBA50GV1-E12	JBA50GV1-E12	JBA50GV1-E12
60 mm	JBA60GV1-E12	JBA60GV1-E12	JBA60GV1-E00	JBA60GV1-E00
65 mm	JBA65GV1-E12	JBA65GV1-E12	JBA65GV1-E00	JBA65GV1-E00
80 mm	JBA80GV1-E12	JBA80GV1-E12	JBA80GV1-E12	JBA80GV1-E12
100 mm	JBB10GV1-E12	JBB10GV1-E12	JBB10GV1-E00	JBB10GV1-E00
125 mm	JBB12GV1-E12	JBB12GV1-E12	JBB12GV1-E00	JBB12GV1-E00

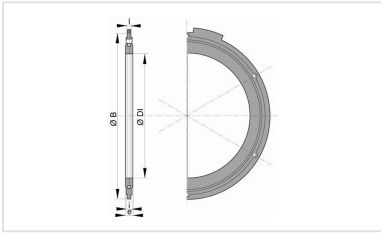
DN	PN 10 Artikel-Nr.	PN 16 Artikel-Nr.	PN 25 Artikel-Nr.	PN 40 Artikel-Nr.
150 mm	JBB15GV1-E12	JBB15GV1-E12	JBB15GV1-E00	JBB15GV1-E00
200 mm	JBB20GV1-E12	JBB20GV1-E13	JBB20GV1-E00	
250 mm	JBB25GV1-E12	JBB25GV1-E13	JBB25GV1-E00	
300 mm	JBB30GV1-E12	JBB30GV1-E13	JBB30GV1-E00	
350 mm	JBB35GV1B-E12	JBB35GV1B-E13	JBB35GV1B-E00	
400 mm	JBB40GV1B-E12	JBB40GV1B-E13	JBB40GV1B-E00	
450 mm	JBB45GV1-E12	JBB45GV1B-E13	JBB45GV1B-E00	
500 mm	JBB50GV1B-E12	JBB50GV1B-E13	JBB50GV1B-E00	
600 mm	JBB60GV1-E12	JBB60GV1B-E13	JBB60GV1B-E00	
700 mm	JBB70GV1-E12	JBB70GV1-E13	JBB70GV1-E00	
800 mm	JBB80GV1-E12	JBB80GV1-E13	JBB80GV1-E00	
900 mm	JBB90GV1-E12	JBB90GV1-E13	JBB90GV1-E00	
1000 mm	JBC10GV1-E12	JBC10GV1-E13	JBC10GV1-E00	
1100 mm	JBC11GV1-E12	JBC11GV1-E13	JBC11GV1-E00	
1200 mm	JBC12GV1-E12	JBC12GV1-E13	JBC12GV1-E00	
1400 mm	JBC14GV1-E12	JBC14GV1-E13	JBC14GV1-E00	
1500 mm	JBC15GV1-E12	JBC15GV1-E13	JBC15GV1-E00	
1600 mm	JBC16GV1-E12	JBC16GV1-E13	JBC16GV1-E00	
1800 mm	JBC18GV1-E12	JBC18GV1-E13		
2000 mm	JBC20GV1-E12	JBC20GV1-E13		

Zubehör

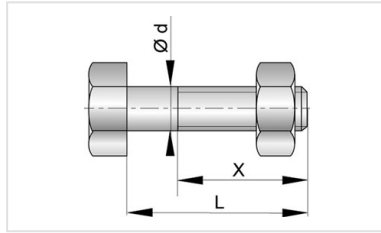


Flanschdichtungs Kit

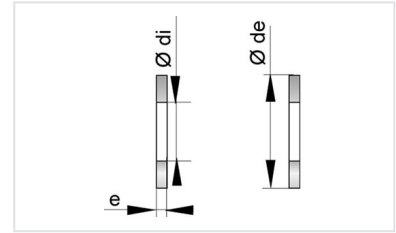
Produkte



Flanged Gasket DN40-2000



Metalized Steel Bolt for
Flanged Joint DN40-2000



Scheibe aus Stahl