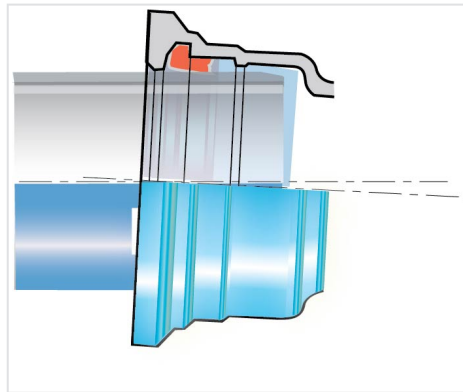


## Kit Flanschmuffe Standard PECB + Dichtung Standard



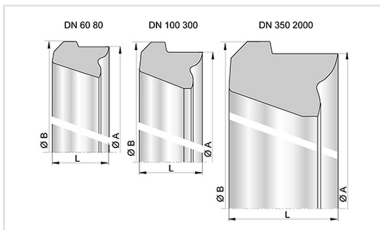
DN	PN	Gesamtgewicht	Artikel-Nr.
60 mm	10 16	6.01 kg	SSA60BE10TT-E00
80 mm	10 16 25 40	7.35 kg	SSA80BE10TT-E00
100 mm	10 16	8.9 kg	SSB10BE10TT-E00
100 mm	25 40	10.2 kg	SSB10BE30TT-E00
125 mm	10 16	11.24 kg	SSB12BE10TT-E00
150 mm	10 16	14.09 kg	SSB15BE10TT-E00
150 mm	25 40	15.09 kg	SSB15BE30TT-E00
200 mm	10	20.78 kg	SSB20BE10TT-E00
200 mm	16	20.68 kg	SSB20BE20TT-E00
200 mm	25	23.88 kg	SSB20BE30TT-E00
250 mm	10	31.8 kg	SSB25BE10TT-E00
250 mm	16	31.4 kg	SSB25BE20TT-E00
250 mm	25	34.4 kg	SSB25BE30TT-E00
300 mm	10	42.71 kg	SSB30BE10TT-E00
300 mm	16	42.01 kg	SSB30BE20TT-E00
300 mm	25	45.61 kg	SSB30BE30TT-E00
350 mm	10	50.57 kg	SSB35BE10TT2-E00
350 mm	16	51.72 kg	SSB35BE20TT2-E00
350 mm	25	57.6 kg	SSB35BE30TT2-E00
400 mm	10	61.14 kg	SSB40BE10TT2-E00
400 mm	16	65.87 kg	SSB40BE20TT2-E00
400 mm	25	75.32 kg	SSB40BE30TT2-E00

DN	PN	Gesamtgewicht	Artikel-Nr.
450 mm	10	72.2 kg	SSB45BE10TT2-E00
450 mm	16	77.24 kg	SSB45BE20TT2-E00
450 mm	25	87.42 kg	SSB45BE30TT2-E00
500 mm	10	91.21 kg	SSB50BE10TT2-E00
500 mm	16	104.86 kg	SSB50BE20TT2-E00
500 mm	25	111.16 kg	SSB50BE30TT2-E00
600 mm	10	124.8 kg	SSB60BE10TT2-E00
600 mm	16	151.05 kg	SSB60BE20TT2-E00
600 mm	25	154.2 kg	SSB60BE30TT2-E00
700 mm	10	163.87 kg	SSB70BE10TT-E00
700 mm	16	168.87 kg	SSB70BE20TT-E00
700 mm	25	198.87 kg	SSB70BE30TT-E00
800 mm	10	214.67 kg	SSB80BE10TT-E00
800 mm	16	223.67 kg	SSB80BE20TT-E00
800 mm	25	277.67 kg	SSB80BE30TT-E00
1000 mm	10	347.59 kg	SSC10BE10TT-E00
1000 mm	16	364.59 kg	SSC10BE20TT-E00
1000 mm	25	347.59 kg	SSC10BE30TT-E00

DN mm	Klasse	PFA bar
60	C40	40
80	C40	40
100	C40	40
125	C40	40
150	C40	40
200	C40	40
250	C40	40
300	C40	40
350	C30	30
400	C30	30
450	C30	30
500	C30	30
600	C30	30

DN mm	Klasse	PFA bar
700	C25	25
800	C25	25
900	C25	25
1000	C25	25
1100	C25	25
1200	C25	25
1400	C25	25
1500	C25	25
1600	C25	25
1800	C25	25
2000	C25	25

## Produkte



Dichtung Standard für  
Rohre und Formstücke