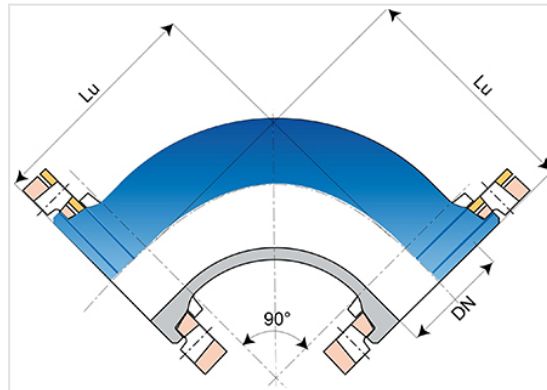


**Flanschbogen 90° DN40-600 (PECB)**



Winkel	DN (mm)	Lu (mm)	PN 10		PN 16		PN 25		PN 40	
			Masse (kg)	Artikel-Nr.	Masse (kg)	Artikel-Nr.	Masse (kg)	Artikel-Nr.	Masse (kg)	Artikel-Nr.
90°	40	140	6,30	BAA40CA10TT	6,30	BAA40CA10TT	6,30	BAA40CA10TT	6,30	BAA40CA10TT
90°	50	150	7,30	BAA50CA10TT	7,30	BAA50CA10TT	7,30	BAA50CA10TT	7,30	BAA50CA10TT
90°	60	160	8,50	BAA60CA10TT	8,50	BAA60CA10TT	7,80	BAA60CA30TT	7,80	BAA60CA30TT
90°	65	160	9,60	BAA65CA10TT	9,60	BAA65CA10TT				
90°	80	165	11,20	BAA80CA10TT	11,20	BAA80CA10TT	11,20	BAA80CA10TT	11,20	BAA80CA10TT
90°	100	180	13,00	BAB10CA10TT	13,00	BAB10CA10TT	14,00	BAB10CA30TT	14,00	BAB10CA30TT
90°	125	200	17,60	BAB12CA10TT	17,60	BAB12CA10TT	21,40	BAB12CA30TT	21,40	BAB12CA30TT
90°	150	220	23,00	BAB15CA10TT	23,00	BAB15CA10TT	25,00	BAB15CA30TT	25,00	BAB15CA30TT
90°	200	260	37,50	BAB20CA10TT	37,50	BAB20CA20TT	40,50	BAB20CA30TT	43,50	BAB20CA40TT
90°	250	327,5	49,30	BAB25CA10TT2	49,30	BAB25CA20TT2	54,50	BAB25CA30TT2		
90°	300	376	69,70	BAB30CA10TT2	68,70	BAB30CA20TT2	76,30	BAB30CA30TT2		
90°	350	424,5	94,08	BAB35CA10TT2	96,39	BAB35CA20TT2	108,15	BAB35CA30TT2		
90°	400	473	119,91	BAB40CA10TT2	129,36	BAB40CA20TT2	148,26	BAB40CA30TT2		
90°	500	570	190,05	BAB50CA10TT2	217,35	BAB50CA20TT2	230,00	BAB50CA30TT2		
90°	600	700	359,00	BAB60CA10TT	409,00	BAB60CA20TT	415,00	BAB60CA30TT		

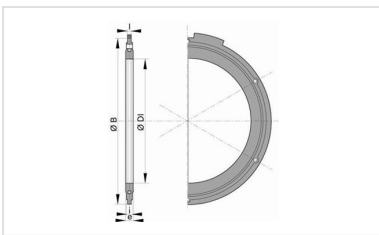
**Anwendungsgebiet :**

- Für den Transport und Verteilung von Trinkwasser sowie Bewässerungssysteme

### Haupteigenschaften :

- Auskleidung / Umhüllung: 250µm Epoxy Pulverbeschichtung mit einem Minimum von 200µm – EN 14901-1 (PECB)
- Einhaltung der EN 545:2010 und ISO 2531:2009

### Produkte



Flanschdichtungssatz  
(galvanisiert)