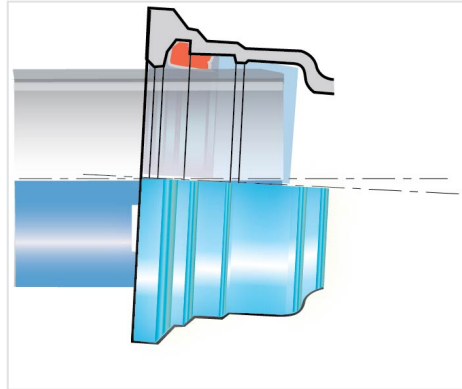


Kit Doppelmuffenbogen Standard AQB + Dichtung Standard

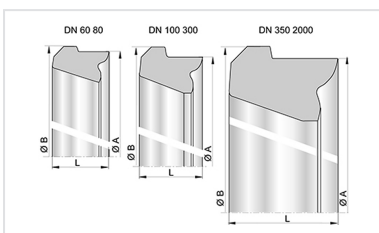


DN	Winkel	Gesamtgewicht	Artikel-Nr.
60	90°	6.42 kg	NSA60CA00NN2-E00
60	45°	6.72 kg	NSA60CB00NN2-E00
60	22°30	5.12 kg	NSA60CD00NN2-E00
60	11°15	5.32 kg	NSA60CE00NN2-E00
80	90°	7.9 kg	NSA80CA00NN2-E00
80	45°	7.3 kg	NSA80CB00NN2-E00
80	22°30	6.5 kg	NSA80CD00NN2-E00
80	11°15	6.8 kg	NSA80CE00NN2-E00
100	90°	10.4 kg	NSB10CA00NN2-E00
100	45°	9.3 kg	NSB10CB00NN2-E00
100	22°30	8.2 kg	NSB10CD00NN2-E00
100	11°15	8.3 kg	NSB10CE00NN2-E00
125	45°	12.78 kg	NSB12CB00NN2-E00
125	22°30	10.38 kg	NSB12CD00NN2-E00
125	11°15	10.78 kg	NSB12CE00NN2-E00
150	90°	18.68 kg	NSB15CA00NN2-E00
150	45°	16.18 kg	NSB15CB00NN2-E00
150	22°30	12.78 kg	NSB15CD00NN2-E00
150	11°15	13.18 kg	NSB15CE00NN2-E00
200	90°	29.96 kg	NSB20CA00NN2-E00
200	45°	24.46 kg	NSB20CB00NN2-E00
200	22°30	19.76 kg	NSB20CD00NN2-E00

DN	Winkel	Gesamtgewicht	Artikel-Nr.
200	11°15	19.96 kg	NSB20CE00NN2-E00
250	90°	50.6 kg	NSB25CA00NN2-E00
250	45°	41.5 kg	NSB25CB00NN2-E00
250	22°30	33.2 kg	NSB25CD00NN2-E00
250	11°15	31.5 kg	NSB25CE00NN2-E00
300	90°	74.12 kg	NSB30CA00NN2-E00
300	45°	60.42 kg	NSB30CB00NN2-E00
300	22°30	43.62 kg	NSB30CD00NN2-E00
300	11°15	41.12 kg	NSB30CE00NN2-E00

DN mm	Klasse	PFA bar
60	C40	40
80	C40	40
100	C40	40
125	C40	40
150	C40	40
200	C40	40
250	C40	40
300	C40	40

Produkte



Dichtung Standard für
Rohre und Formstücke