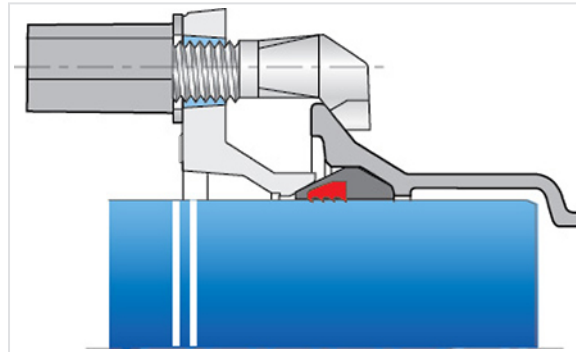


Kit Formstücke Express AQB + Verbindung Express Vi



Doppelmuffenbogen Express

DN	Winkel	Gesamtgewicht	Artikel-Nr.
60	11°15	10.56 kg	NEA60CE00NN2-S07
60	22°30	10.46 kg	NEA60CD00NN2-S07
60	45°	11.56 kg	NEA60CB00NN2-S07
60	90°	11.26 kg	NEA60CA00NN2-S07
80	90°	14.56 kg	NEA80CA00NN2-S07
80	45°	13.96 kg	NEA80CB00NN2-S07
80	22°30	13.26 kg	NEA80CD00NN2-S07
80	11°15	13.46 kg	NEA80CE00NN2-S07
100	90°	13.6 kg	NEB10CA00NN2-S07
100	45°	12.8 kg	NEB10CB00NN2-S07
100	22°30	12.2 kg	NEB10CD00NN2-S07
100	11°15	12.1 kg	NEB10CE00NN2-S07
125	90°	16.82 kg	NEB12CA00NN2-S07
125	45°	15.42 kg	NEB12CB00NN2-S07
125	22°30	14.62 kg	NEB12CD00NN2-S07
125	11°15	14.42 kg	NEB12CE00NN2-S07
150	90°	21.06 kg	NEB15CA00NN2-S07
150	45°	19.06 kg	NEB15CB00NN2-S07
150	22°30	17.96 kg	NEB15CD00NN2-S07
150	11°15	17.56 kg	NEB15CE00NN2-S07
200	90°	39.24 kg	NEB20CA00NN2-S07

DN	Winkel	Gesamtgewicht	Artikel-Nr.
200	45°	35.04 kg	NEB20CB00NN2-S07
200	22°30	32.94 kg	NEB20CD00NN2-S07
200	11°15	32.04 kg	NEB20CE00NN2-S07
250	90°	87.64 kg	NEB25CA00NN2-E07
250	45°	80.04 kg	NEB25CB00NN2-E07
250	22°30	76.14 kg	NEB25CD00NN2-E07
250	11°15	74.94 kg	NEB25CE00NN2-E07
300	90°	117.22 kg	NEB30CA00NN2-E07
300	45°	109.12 kg	NEB30CB00NN2-E07
300	22°30	102.12 kg	NEB30CD00NN2-E07
300	11°15	100.12 kg	NEB30CE00NN2-E07

DN	Ø dn	Gesamtgewicht	Artikel-Nr.
100	60	13.53 kg	NEB10VE0CNN2-S07
100	80	15.03 kg	NEB10VE0ENN2-S07
150	100	20.78 kg	NEB15VE0FNN2-S07
200	100	31.92 kg	NEB20VE0FNN2-S07
200	150	33 kg	NEB20VE0JNN2-S07
250	125	52.88 kg	NEB25VE0GNN2-E07
250	150	53.15 kg	NEB25VE0JNN2-E07
250	200	57.59 kg	NEB25VE0KNN2-E07
300	150	76.64 kg	NEB30VE0JNN2-E07
300	200	79.78 kg	NEB30VE0KNN2-E07
300	250	93.43 kg	NEB30VE0LNN2-E07

Doppelmuffe mit Muffenstutzen Express

DN	Ø dn	Gesamtgewicht	Artikel-Nr.
60	60	16.79 kg	NEA60TE0CNN2-S07
80	80	21.79 kg	NEA80TE0ENN2-S07
100	100	25 kg	NEB10TE0FNN2-S07
125	125	33.23 kg	NEB12TE0GNN2-S07
150	60	30.99 kg	NEB15TE0CNN2-S07
150	80	32.99 kg	NEB15TE0ENN2-S07
150	100	34.96 kg	NEB15TE0FNN2-S07
150	150	40.84 kg	NEB15TE0JNN2-S07

DN	Ø dn	Gesamtgewicht	Artikel-Nr.
200	60	48.37 kg	NEB20TE0CNN2-S07
200	80	50.37 kg	NEB20TE0ENN2-S07
200	100	52.84 kg	NEB20TE0FNN2-S07
200	150	59.22 kg	NEB20TE0JNN2-S07
200	200	72.66 kg	NEB20TE0KNN2-S07

Doppelmuffe Express mit Flanschabzweig

DN	Ø dn	PN	Gesamtgewicht	Artikel-Nr.
60	40	10 16 25 40	13.86 kg	NEA60UD1ANN2-S07
60	60	10 16	14.73 kg	NEA60UD1CNN2-S07
60	60	25 40	14.76 kg	NEA60UD3CNN2-S07
60	65	10 16	15.32 kg	NEA60UD1DNN2-S07
60	65	25 40	15.76 kg	NEA60UD3DNN2-S07
80	40	10 16 25 40	16.66 kg	NEA80UD1ANN2-S07
80	60	10 16	17.13 kg	NEA80UD1CNN2-S07
80	60	25 40	17.16 kg	NEA80UD3CNN2-S07
80	65	10 16	17.72 kg	NEA80UD1DNN2-S07
80	65	25 40	18.16 kg	NEA80UD3DNN2-S07
80	80	10 16 25 40	19.13 kg	NEA80UD1ENN2-S07
100	40	10 16 25 40	19.5 kg	NEB10UD1ANN2-S07
100	60	10 16	20.57 kg	NEB10UD1CNN2-S07
100	60	25 40	20.6 kg	NEB10UD3CNN2-S07
100	65	10 16	21.16 kg	NEB10UD1DNN2-S07
100	65	25 40	21.6 kg	NEB10UD3DNN2-S07
100	100	10 16	23.4 kg	NEB10UD1FNN2-S07
100	100	25 40	25.62 kg	NEB10UD3FNN2-S07
125	40	10 16 25 40	23.12 kg	NEB12UD1ANN2-S07
125	60	10 16	24.39 kg	NEB12UD1CNN2-S07
125	60	25 40	24.42 kg	NEB12UD3CNN2-S07
125	65	10 16	24.98 kg	NEB12UD1DNN2-S07
125	65	25 40	25.42 kg	NEB12UD3DNN2-S07
125	80	10 16 25 40	26.09 kg	NEB12UD1ENN2-S07
125	100	10 16	27.42 kg	NEB12UD1FNN2-S07
125	100	25 40	28.62 kg	NEB12UD3FNN2-S07
125	125	10 16	29.95 kg	NEB12UD1GNN2-S07

DN	Ø dn	PN	Gesamtgewicht	Artikel-Nr.
125	125	25 40	31.62 kg	NEB12UD3GNN2-S07
150	40	10 16 25 40	27.96 kg	NEB15UD1ANN2-S07
150	60	10 16	29.33 kg	NEB15UD1CNN2-S07
150	60	25 40	29.36 kg	NEB15UD3CNN2-S07
150	65	10 16	29.92 kg	NEB15UD1DNN2-S07
150	65	25 40	30.36 kg	NEB15UD3DNN2-S07
150	80	10 16 25 40	31.23 kg	NEB15UD1ENN2-S07
150	100	10 16	32.76 kg	NEB15UD1FNN2-S07
150	100	25 40	33.96 kg	NEB15UD3FNN2-S07
150	125	10 16	35.39 kg	NEB15UD1GNN2-S07
150	150	10 16	38.12 kg	NEB15UD1JNN2-S07
150	150	25 40	40.16 kg	NEB15UD3JNN2-S07
200	40	10 16 25 40	45.54 kg	NEB20UD1ANN2-S07
200	60	10 16	47.31 kg	NEB20UD1CNN2-S07
200	60	25 40	47.34 kg	NEB20UD3CNN2-S07
200	65	10 16	47.9 kg	NEB20UD1DNN2-S07
200	65	25 40	48.34 kg	NEB20UD3DNN2-S07
200	80	10 16 25 40	49.61 kg	NEB20UD1ENN2-S07
200	100	10 16	49.74 kg	NEB20UD1FNN2-S07
200	100	25 40	50.94 kg	NEB20UD3FNN2-S07
200	150	10 16	57.6 kg	NEB20UD1JNN2-S07
200	150	25 40	59.64 kg	NEB20UD3JNN2-S07
200	200	10	65.84 kg	NEB20UD1KNN2-S07
200	200	16	65.74 kg	NEB20UD2KNN2-S07
200	200	25	67.24 kg	NEB20UD3KNN2-S07
250	60	10 16	82.04 kg	NEB25UD1CNN2-E07
250	60	25 40	81.64 kg	NEB25UD3CNN2-E07
250	65	10 16	82.2 kg	NEB25UD1DNN2-E07
250	65	25 40	93.94 kg	NEB25UD3DNN2-E07
250	100	10 16	83.64 kg	NEB25UV1FNN2-E07
250	100	25 40	84.84 kg	NEB25UV3FNN2-E07
250	150	10 16	93.54 kg	NEB25UD1JNN2-E07
250	150	25 40	95.54 kg	NEB25UD3JNN2-E07
250	200	10	101.54 kg	NEB25UD1KNN2-E07

DN	Ø dn	PN	Gesamtgewicht	Artikel-Nr.
250	200	16	101.74 kg	NEB25UD2KNN2-E07
250	200	25	103.04 kg	NEB25UD3KNN2-E07
250	250	10	110.34 kg	NEB25UD1LNN2-E07
250	250	16	110.34 kg	NEB25UD2LNN2-E07
250	250	25	113.04 kg	NEB25UD3LNN2-E07
300	60	10 16	114.62 kg	NEB30UD1CNN2-E07
300	60	25 40	114.22 kg	NEB30UD3CNN2-E07
300	65	10 16	130.48 kg	NEB30UD1DNN2-E07
300	80	10 16 25 40	114.42 kg	NEB30UD1ENN2-E07
300	100	10 16	109.51 kg	NEB30UV1FNN2-E07
300	100	25 40	110.71 kg	NEB30UV3FNN2-E07
300	150	10 16	122.72 kg	NEB30UD1JNN2-E07
300	150	25 40	124.72 kg	NEB30UD3JNN2-E07
300	200	10	132.22 kg	NEB30UD1KNN2-E07
300	200	16	132.42 kg	NEB30UD2KNN2-E07
300	200	25	133.72 kg	NEB30UD3KNN2-E07
300	250	10	141.82 kg	NEB30UD1LNN2-E07
300	250	16	141.82 kg	NEB30UD2LNN2-E07
300	250	25	144.52 kg	NEB30UD3LNN2-E07
300	300	10	153.02 kg	NEB30UD1MNN2-E07
300	300	16	152.52 kg	NEB30UD2MNN2-E07
300	300	25	156.12 kg	NEB30UD3MNN2-E07

Flanschmuffe Express

DN	PN	Gesamtgewicht	Artikel-Nr.
60	10 16	8.1 kg	NEA60BE10NN2-S07
65	10 16	8.69 kg	NEA65BE10NN2-S07
80	10 16 25 40	10.3 kg	NEA80BE10NN2-S07
100	10 16	9.85 kg	NEB10BE10NN2-S07
125	10 16	12.34 kg	NEB12BE10NN2-S07
150	10 16	15.07 kg	NEB15BE10NN2-S07
200	10	26.47 kg	NEB20BE10NN2-S07
200	16	26.37 kg	NEB20BE20NN2-S07
250	10	52.47 kg	NEB25BE10NN2-E07
250	16	52.07 kg	NEB25BE20NN2-E07

DN	PN	Gesamtgewicht	Artikel-Nr.
300	10	69.26 kg	NEB30BE10NN2-E07
300	16	68.56 kg	NEB30BE20NN2-E07

DN	PFA mit Rohre STANDARD C25	PFA mit Rohre STANDARD C40
mm	bar	bar
60	14	16
80	14	16
100	14	16
125	14	16
150	14	16
200	-	16
250	-	16
300	-	16

Produkte



Express Satz Vi für Express Rohre und Formstücke



Express New Vi Satz für Rohre und Formstücke Express DN60-250