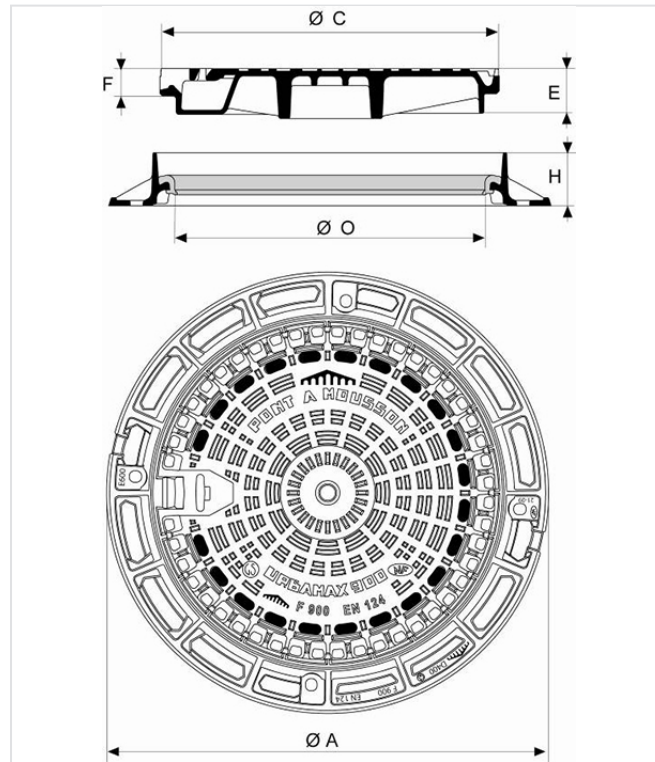


Manhole cover URBAMAX F900 Class Round frame - Ventilated



A (mm)	C (mm)	O (mm)	E (mm)	F (mm)	H (mm)	Total Mass (kg)	Cover Mass (kg)	Packaging	References
850	657	600	85	49	100	89.000	59	10	CFUR60BF

Material and coating:

- Frame and cover in Ductile Iron EN GJS 400-15: water base coating
- [Ring in elastomer](#)

Field of application:

- Class F900 suitable for use in areas where very heavy wheel load are imposed such are aircraft pavements.

Main characteristics:

- High resistance
- Handling box suitable for pick-axe, crowbar...
- Elastomer ring

Linked products



Elastomer Ring

The information on this sketch is, to the best of our knowledge correct at the time of printing. However Saint-Gobain are constantly looking at ways of improving their products and services therefore reserve the right to change without prior notice, any of the data shown. Any orders placed will be subject to our Standard Conditions of Sale, available on request.