

Mudpan for PAMREX manhole covers

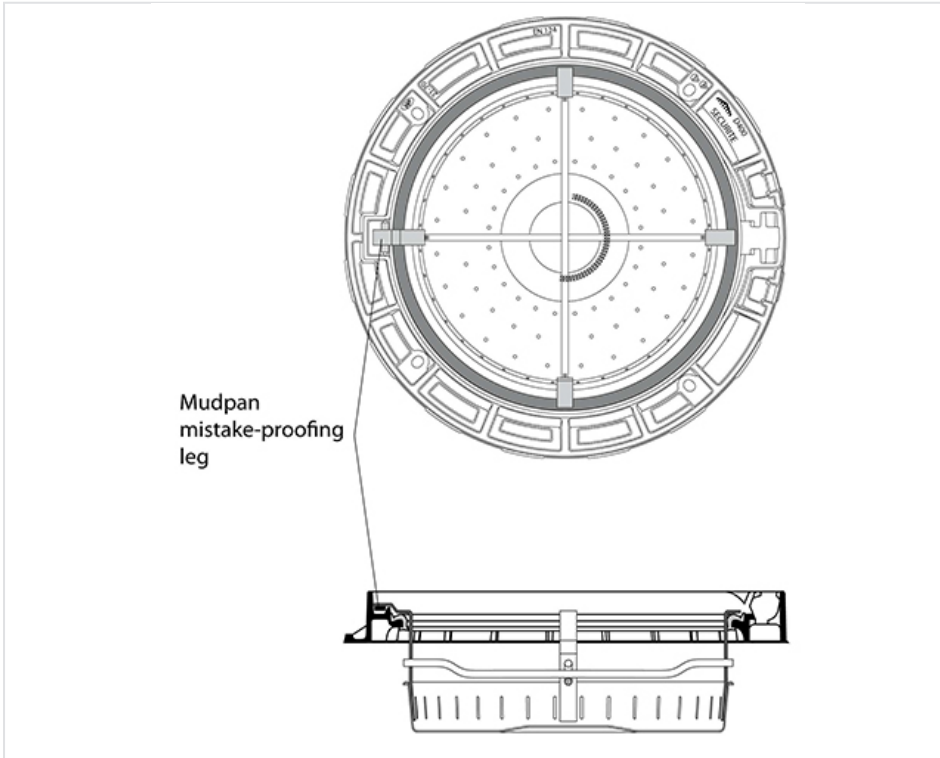


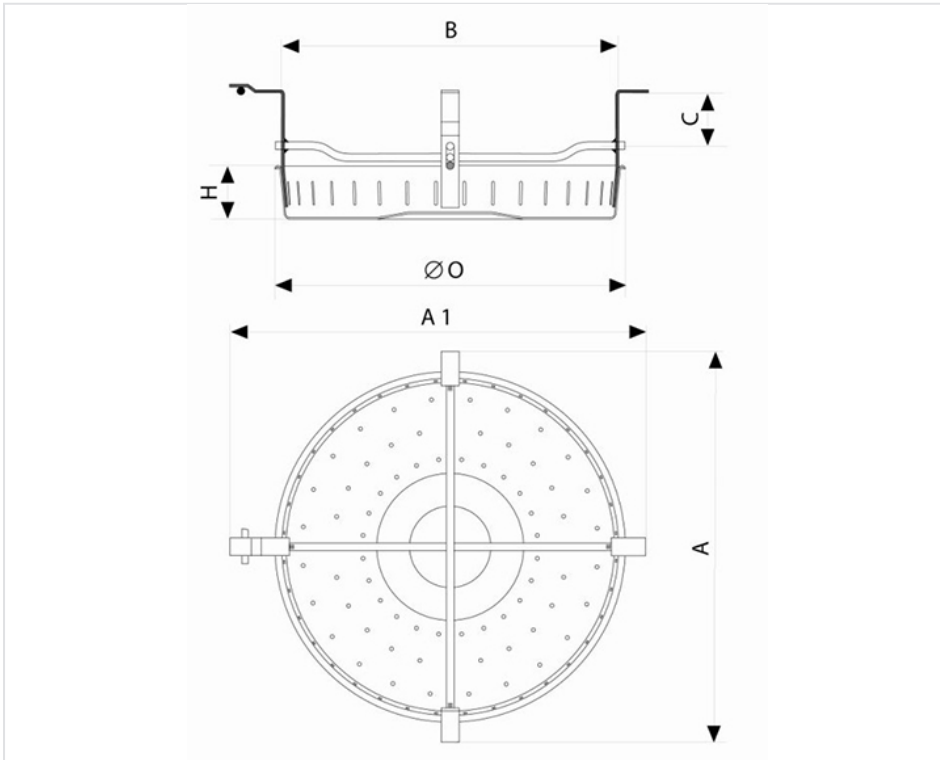
The ventilated versions of Pamrex manhole covers can be equipped with a mudpan in stainless steel comprising 3 or 4 legs of suspension resting on the ring.

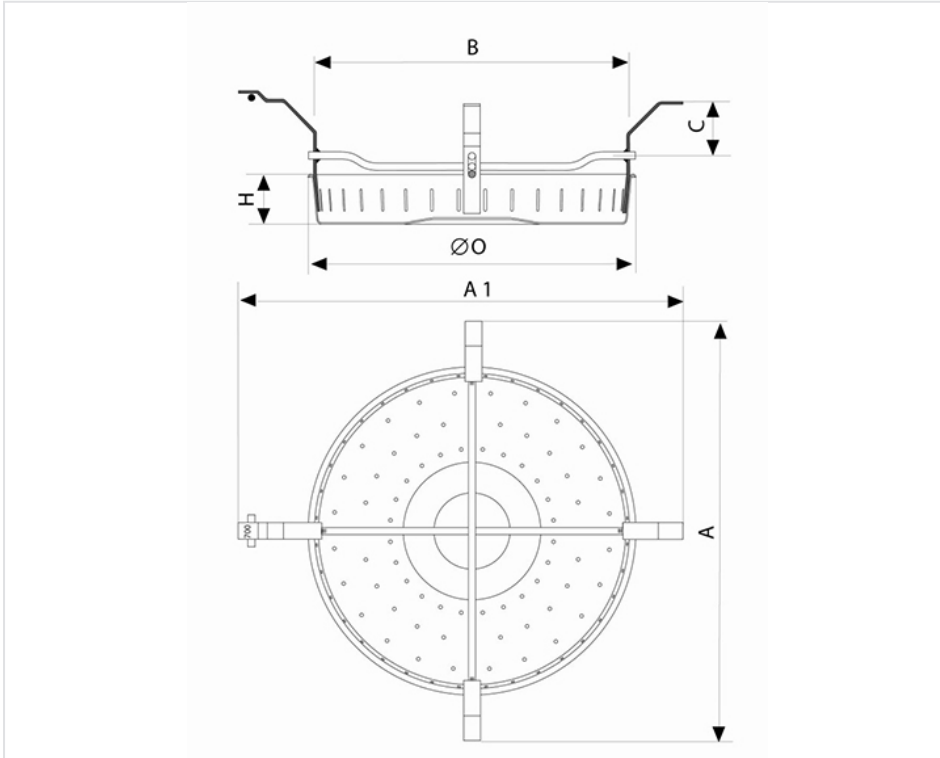
One of these legs is equipped with a mistake-proofing and must be placed in the opening box.

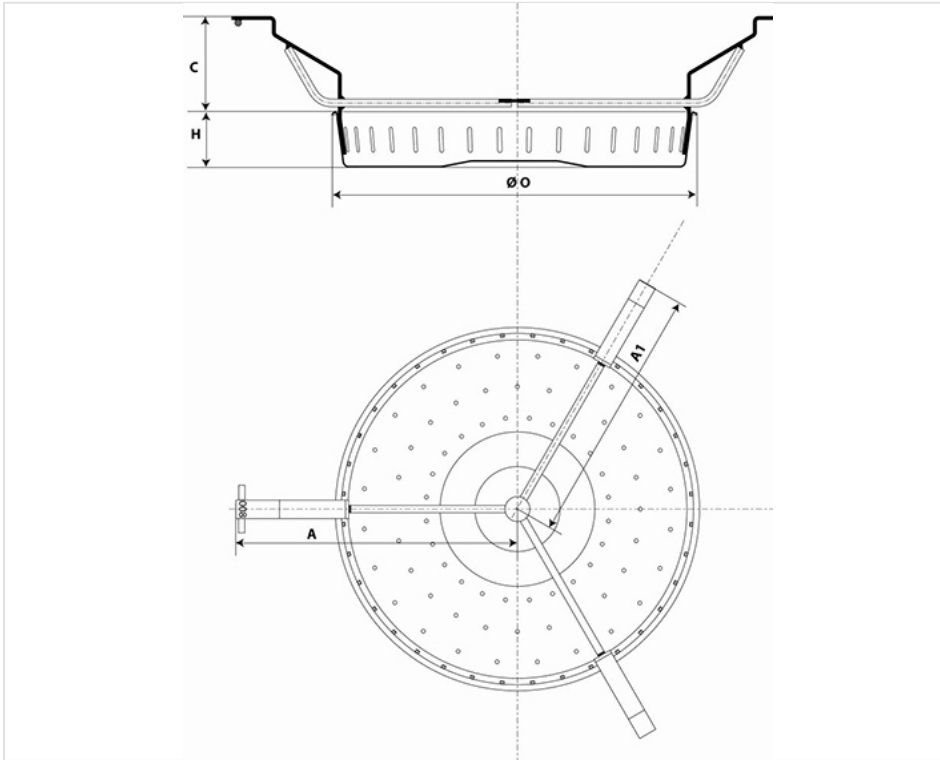
The covers of ventilated Pamrex manhole covers have notches in their skirt enabling to remove all interactions between the cover and the mudpan.

Version	A	A1	O	B	C	H	Mass	References
For PAMREX 600	668 mm	709 mm	590 mm	611 mm	90 mm	90 mm	7.00 kg	C1
For PAMREX 700	758 mm	799 mm	590 mm	522 mm	95 mm	90 mm	8.00 kg	C2
For PAMREX 800	455 mm	420 mm	590 mm		150 mm	90 mm	9.00 kg	C3









The information on this sketch is, to the best of our knowledge correct at the time of printing. However Saint-Gobain are constantly looking at ways of improving their products and services therefore reserve the right to change without prior notice, any of the data shown. Any orders placed will be subject to our Standard Conditions of Sale, available on request.

COPYRIGHT AND DESIGN RIGHT: This drawing is the exclusive property of Saint-Gobain PAM UK and is confidential and must not be reproduced or disclosed for any third party without written consent. It must be used only for the purpose for which it has been issued and is returnable on request