

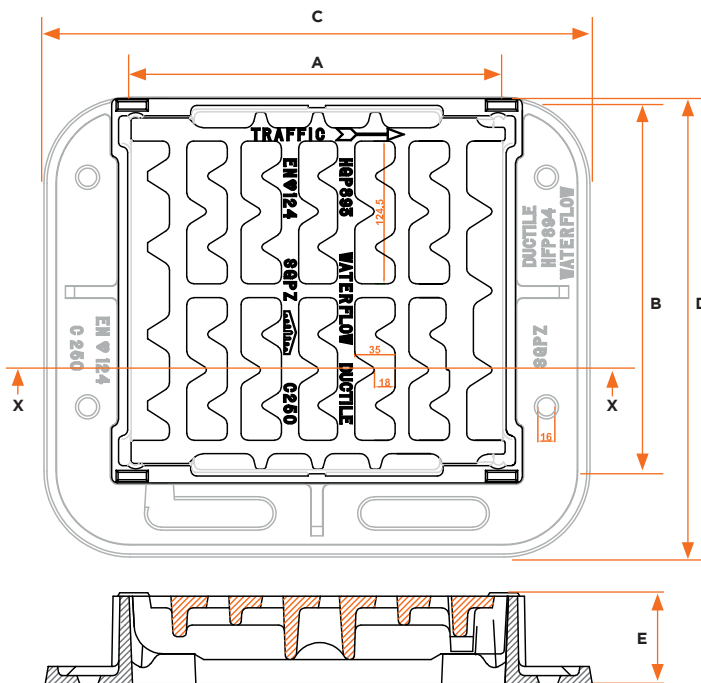


PEDESTRIAN & CYCLE FRIENDLY GRATING RANGE

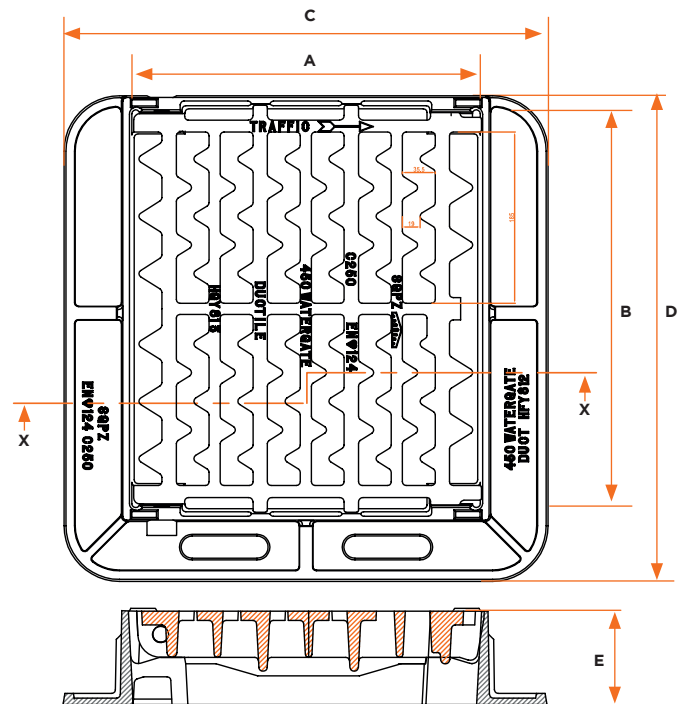
SAP CODE	SAP CODE WITH SPRING CLIP LOCKING	OPENING ORIENTATION (WHEN VIEWED FROM THE KERB)	CLEAR OPENING AXB (MM)	OVERBASE CXD (MM)	DEPTH E (MM)	WATERWAY AREA CM <sup>2</sup>	HA102 GRATING REF.	TOTAL MASS (KG)	PALLET QTY	PREVIOUS CODE
187126	186862	Left Hand	325 x 312	475 x 400	75	605	T	23	30	HP893 1
187161	186854	Left Hand	370 x 430	525 x 525	100	830	S	38	20	HY813 1

ROADSIDE KERB

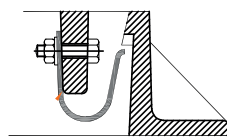
DIRECTION OF TRAFFIC →



Product 187126 shown



Product 187161



Optional spring clip security feature

For information relating to our D400 pedestrian & cycle friendly grating range please refer to the Watershed Orbis datasheet reference SGPUK007

The information on this sketch is, to the best of our knowledge correct at the time of printing. However Saint-Gobain are constantly looking at ways of improving their products and services therefore reserve the right to change without prior notice, any of the data shown. Any orders placed will be subject to our Standard Conditions of Sale, available on request.

COPYRIGHT AND DESIGN RIGHT

This drawing is the exclusive property of Saint-Gobain PAM UK and is confidential and must not be reproduced or disclosed for any third party without written consent. It must be used only for the purpose for which it has been issued and is returnable on request.