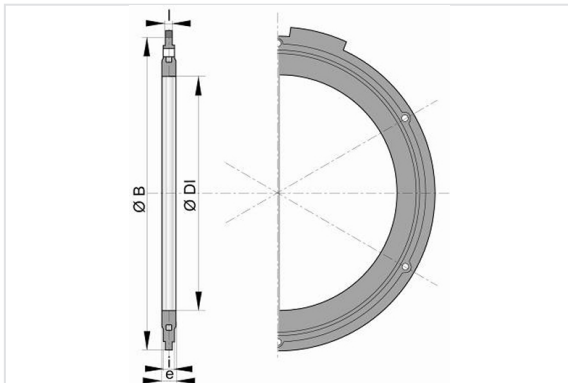
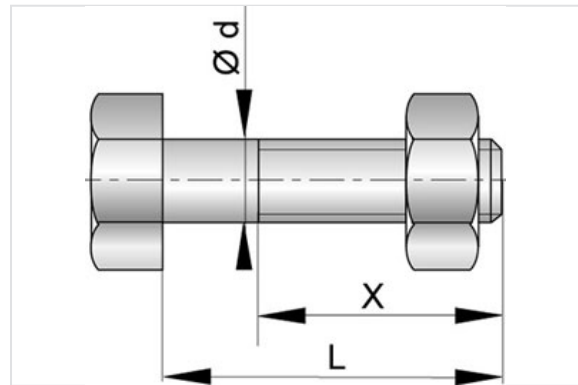


Flanged joint with metallized steel bolts and nuts

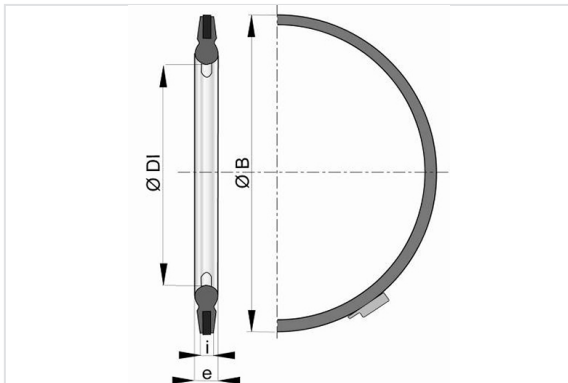
Gasket DN40 to DN300



Bolt



Gasket with metallic inserts DN350 to 2000

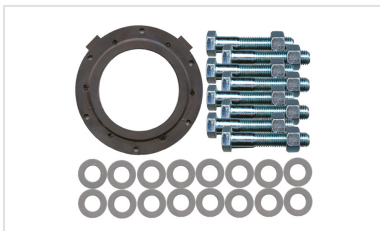


The flanged joint assembly has a gasket with metallic inserts, metallised steel bolts and nuts.

	PN 10	PN 16	PN 25	PN 40
DN	References	References	References	References
40 mm	JBA40GV1-E12	JBA40GV1-E12	JBA40GV1-E12	JBA40GV1-E12
50 mm	JBA50GV1-E12	JBA50GV1-E12	JBA50GV1-E12	JBA50GV1-E12
60 mm	JBA60GV1-E12	JBA60GV1-E12	JBA60GV1-E00	JBA60GV1-E00
65 mm	JBA65GV1-E12	JBA65GV1-E12	JBA65GV1-E00	JBA65GV1-E00
80 mm	JBA80GV1-E12	JBA80GV1-E12	JBA80GV1-E12	JBA80GV1-E12
100 mm	JBB10GV1-E12	JBB10GV1-E12	JBB10GV1-E00	JBB10GV1-E00
125 mm	JBB12GV1-E12	JBB12GV1-E12	JBB12GV1-E00	JBB12GV1-E00

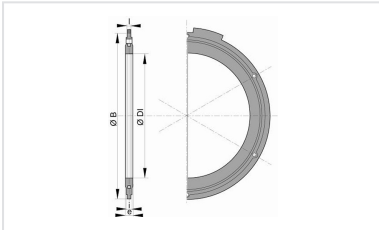
DN	PN 10 References	PN 16 References	PN 25 References	PN 40 References
150 mm	JBB15GV1-E12	JBB15GV1-E12	JBB15GV1-E00	JBB15GV1-E00
200 mm	JBB20GV1-E12	JBB20GV1-E13	JBB20GV1-E00	
250 mm	JBB25GV1-E12	JBB25GV1-E13	JBB25GV1-E00	
300 mm	JBB30GV1-E12	JBB30GV1-E13	JBB30GV1-E00	
350 mm	JBB35GV1B-E12	JBB35GV1B-E13	JBB35GV1B-E00	
400 mm	JBB40GV1B-E12	JBB40GV1B-E13	JBB40GV1B-E00	
450 mm	JBB45GV1-E12	JBB45GV1B-E13	JBB45GV1B-E00	
500 mm	JBB50GV1B-E12	JBB50GV1B-E13	JBB50GV1B-E00	
600 mm	JBB60GV1-E12	JBB60GV1B-E13	JBB60GV1B-E00	
700 mm	JBB70GV1-E12	JBB70GV1-E13	JBB70GV1-E00	
800 mm	JBB80GV1-E12	JBB80GV1-E13	JBB80GV1-E00	
900 mm	JBB90GV1-E12	JBB90GV1-E13	JBB90GV1-E00	
1000 mm	JBC10GV1-E12	JBC10GV1-E13	JBC10GV1-E00	
1100 mm	JBC11GV1-E12	JBC11GV1-E13	JBC11GV1-E00	
1200 mm	JBC12GV1-E12	JBC12GV1-E13	JBC12GV1-E00	
1400 mm	JBC14GV1-E12	JBC14GV1-E13	JBC14GV1-E00	
1500 mm	JBC15GV1-E12	JBC15GV1-E13	JBC15GV1-E00	
1600 mm	JBC16GV1-E12	JBC16GV1-E13	JBC16GV1-E00	
1800 mm	JBC18GV1-E12	JBC18GV1-E13		
2000 mm	JBC20GV1-E12	JBC20GV1-E13		

Accessories

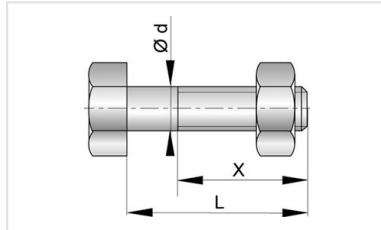


Flanged Joint Kit for flanged Pipes and Fittings

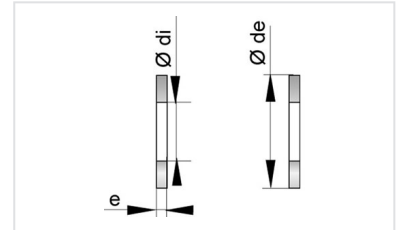
Linked products



Flanged Gasket DN40-2000



Metalized Steel Bolt for
Flanged Joint DN40-2000



Steel Washers for steel
Bolts

The information on this sketch is, to the best of our knowledge correct at the time of printing. However Saint-Gobain are constantly looking at ways of improving their products and services therefore reserve the right to change without prior notice, any of the data shown. Any orders placed will be subject to our Standard Conditions of Sale, available on request.

COPYRIGHT AND DESIGN RIGHT: This drawing is the exclusive property of Saint-Gobain PAM UK and is confidential and must not be reproduced or disclosed for any third party without written consent. It must be used only for the purpose for which it has been issued and is returnable on request