

## VALIANT C250-40T SLIDE OUT ACCESS COVER

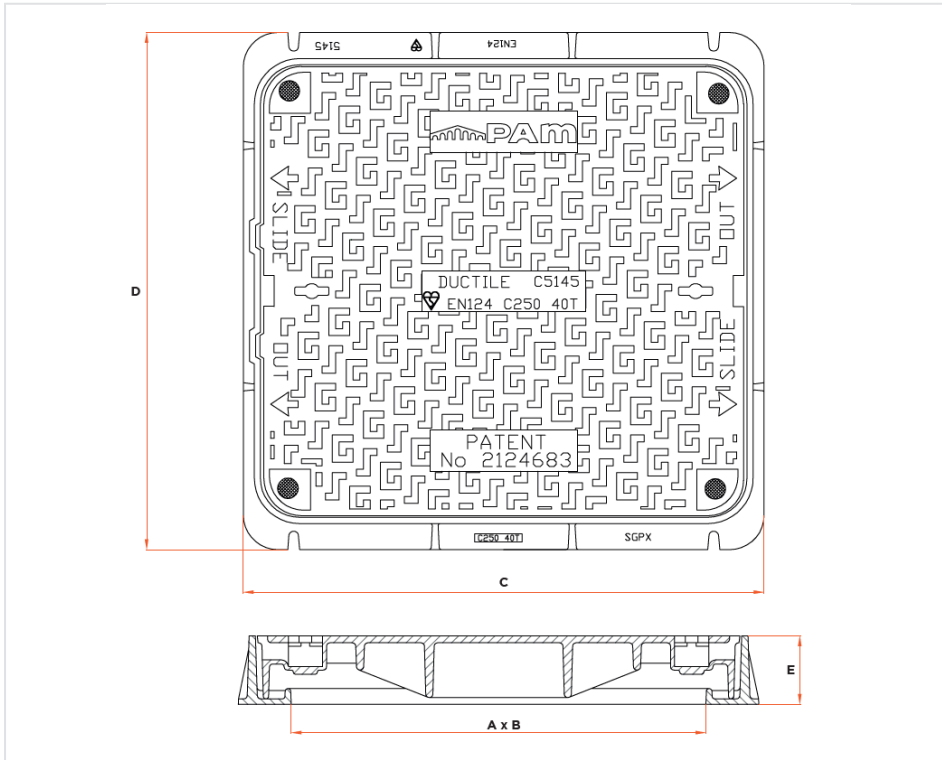


### RECOMMENDED FOR USE IN:

Medium duty applications where a seal capability is required to prevent or control the egress of odours and gases.

As the product is tested to a 40 test load they may be used in areas open to slow moving goods vehicles. Also available in a locked variant, Valliant's single piece cover section has a slide out feature ensuring safe operation and ease of use.

Label	AxB	CxD	E	Cover mass	Total Mass	Packaging	Product code
172789	900x600 mm	1060x760 mm	100 mm	100 kg	142.00 kg	5	C5148
186025	750x600 mm	910x760 mm	100 mm	85 kg	127.40 kg	5	C5146
CCVA76HK	600x450 mm	760x610 mm	100 mm	57 kg	87.00 kg	10	C5144
CCVA77HK	600x600 mm	760x760 mm	100 mm	71 kg	103.00 kg	10	C5145



## SECURITY



Available as a bolt down variant to deter unauthorised access offering increased asset security

## PERFORMANCE C250



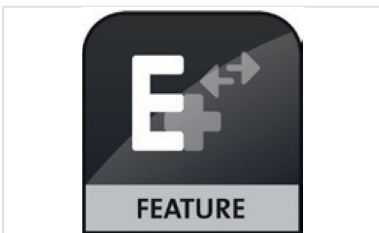
Suitable for use in pedestrian areas also subjected to infrequent traffic

### ACCREDITATION



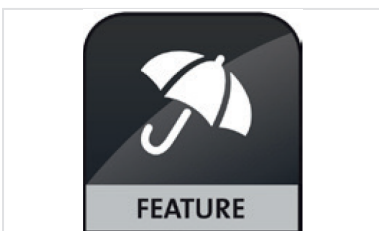
Third party certified and kite marked to the requirements of BS EN 124

### HEALTH & SAFETY



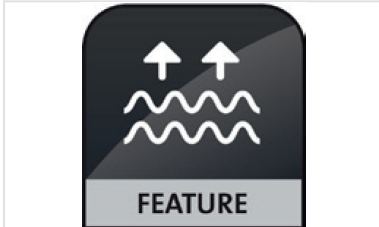
To help reduce work-related injuries, an ergonomic slide out cover design makes opening simpler and easier allowing safer to access to below ground assets.

### REDUCED INFILTRATION



The rebate channel within the frame provides a seal capability when filled with a suitable medium such as a waterproof grease.

## REDUCED EGRESS OF ODOURS



Ideally suited for use on foul water chambers as the egress of odours is significantly reduced due to the presence of the drop in seal plate.

*The information on this sketch is, to the best of our knowledge correct at the time of printing. However Saint-Gobain are constantly looking at ways of improving their products and services therefore reserve the right to change without prior notice, any of the data shown. Any orders placed will be subject to our Standard Conditions of Sale, available on request.*

*COPYRIGHT AND DESIGN RIGHT: This drawing is the exclusive property of Saint-Gobain PAM UK and is confidential and must not be reproduced or disclosed for any third party without written consent. It must be used only for the purpose for which it has been issued and is returnable on request*