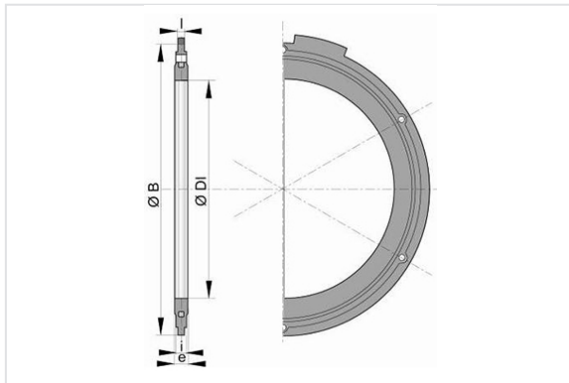
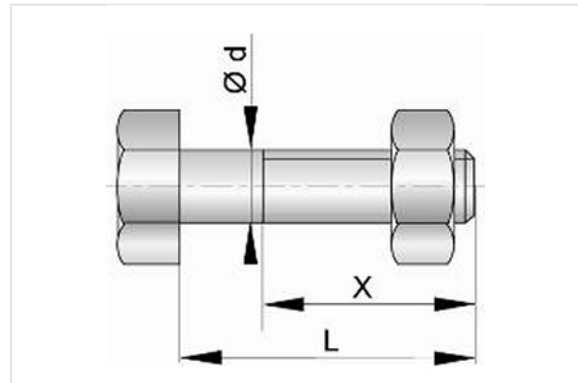


## Flanged joint with hot galvanised steel bolts, nuts and washers for ALPINAL

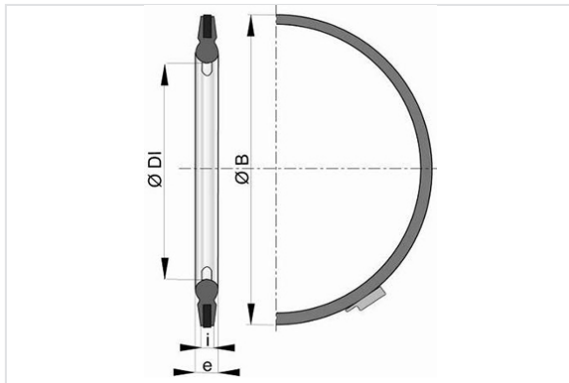
Gasket DN40 to DN300



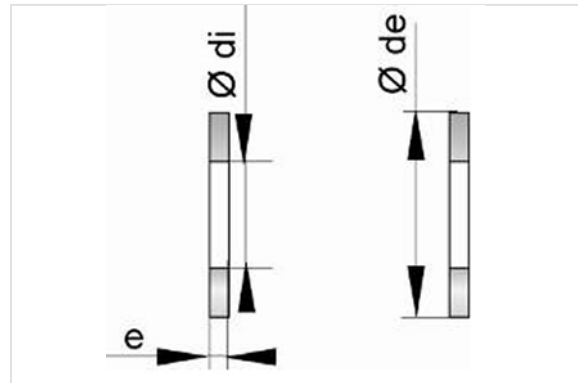
Bolt



Gasket with metallic inserts DN350 to 2000



Washer



The flanged joint assembly has a gasket with metallic inserts, hot galvanised steel bolts (thickness mini 70 microns), nuts and washers.

### Details

#### PN10

DN	PN	Gaskets		Bolts HM			Washers		
		References	Mass	Number	Dimensions	References	Mass	References	Mass
80	10	JBA80GV1	0.129	8	HM 16 85 57	JXM16BG85	0.196	JXM16RGE	0.010
100	10	JBB10GV1	0.143	8	HM 16 90 62	JXM16BG90	0.198	JXM16RGE	0.010
125	10	JBB12GV1	0.176	8	HM 16 90 62	JXM16BG90	0.198	JXM16RGE	0.010
150	10	JBB15GV1	0.203	8	HM 20 100 72	JXM20BG100	0.355	JXM20RGE	0.011

DN	PN	Gaskets		Bolts HM				Washers	
		References	Mass	Number	Dimensions	References	Mass	References	Mass
200	10	JBB20GV1	0.263	8	HM 20 100 72	JXM20BG100	0.355	JXM20RGE	0.011
250	10	JBB25GV1	0.319	12	HM 20 110 76	JXM20BG110	0.381	JXM20RGE	0.011
300	10	JBB30GV1	0.394	12	HM 20 120 83	JXM20BG120	0.411	JXM20RGE	0.011
400	10	JBB40GV1B	1.364	16	HM 24 140 103	JXM24BG140	0.698	JXM24RGE	0.020
500	10	JBB50GV1B	1.673	20	HM 24 150 110	JXM24BG150	0.733	JXM24RGE	0.020

## PN16

DN	PN	Gaskets		Bolts HM				Washers	
		References	Mass	Number	Dimensions	References	Mass	References	Mass
80	16	JBA80GV1	0.129	8	HM 16 85 57	JXM16BG85	0.196	JXM16RGE	0.010
100	16	JBB10GV1	0.143	8	HM 16 90 62	JXM16BG90	0.198	JXM16RGE	0.010
125	16	JBB12GV1	0.176	8	HM 16 90 62	JXM16BG90	0.198	JXM16RGE	0.010
150	16	JBB15GV1	0.203	8	HM 20 100 72	JXM20BG100	0.355	JXM20RGE	0.011
200	16	JBB20GV1	0.263	12	HM 20 100 72	JXM20BG100	0.355	JXM20RGE	0.011
250	16	JBB25GV1	0.319	12	HM 24 110 82	JXM24BG110	0.586	JXM24RGE	0.020
300	16	JBB30GV1	0.394	12	HM 24 130 93	JXM24BG130	0.655	JXM24RGE	0.020
400	16	JBB40GV1B	1.364	16	HM 27 150 105	JXM27BG150	0.975	JXM27RGE	0.020
500	16	JBB50GV1B	1.673	20	HM 30 160 110	JXM30BG160	1.335	JXM30RGE	0.021

## PN25

DN	PN	Gaskets		Bolts HM				Washers	
		References	Mass	Number	Dimensions	References	Mass	References	Mass
80	25	JBA80GV1	0.129	8	HM 16 85 57	JXM16BG85	0.196	JXM16RGE	0.010
100	25	JBB10GV1	0.143	8	HM 20 100 72	JXM20BG100	0.355	JXM20RGE	0.011
125	25	JBB12GV1	0.176	8	HM 24 110 82	JXM24BG110	0.586	JXM24RGE	0.020
150	25	JBB15GV1	0.203	8	HM 24 110 82	JXM24BG110	0.586	JXM24RGE	0.020
200	25	JBB20GV1	0.263	12	HM 24 110 82	JXM24BG110	0.586	JXM24RGE	0.020
250	25	JBB25GV1	0.319	12	HM 27 130 90	JXM27BG130	0.885	JXM27RGE	0.020
300	25	JBB30GV1	0.394	16	HM 27 130 90	JXM27BG130	0.885	JXM27RGE	0.020
400	25	JBB40GV1B	1.364	16	HM 33 150 100	JXM33BG150	1.605	JXM33RGE	0.040
500	25	JBB50GV1B	1.673	20	HM 33 160 100	JXM33BG160	1.672	JXM33RGE	0.040

## PN40

DN	PN	Gaskets		Bolts HM				Washers	
		References	Mass	Number	Dimensions	References	Mass	References	Mass
80	40	JBA80GV1	0.129	8	HM 16 85 57	JXM16BG85	0.196	JXM16RGE	0.010
100	40	JBB10GV1	0.143	8	HM 20 100 72	JXM20BG100	0.355	JXM20RGE	0.011
125	40	JBB12GV1	0.176	8	HM 24 110 82	JXM24BG110	0.586	JXM24RGE	0.020
150	40	JBB15GV1	0.203	8	HM 24 110 82	JXM24BG110	0.586	JXM24RGE	0.020
200	40	JBB20GV1	0.263	12	HM 27 130 90	JXM27BG130	0.885	JXM27RGE	0.020
250	40	JBB25GV1	0.319	12	HM 30 140 93	JXM30BG140	1.226	JXM30RGE	0.021
300	40	JBB30GV1	0.394	16	HM 30 140 93	JXM30BG140	1.226	JXM30RGE	0.021
400	40	JBB40GV4	3.058	16	HM 36 160 92	JXM36BG160	2.100	JXM36RGE	0.043
500	40	JBB50GV4	3.058	20	HM 39 180 105	JXM39BG180	2.743	JXM39RGM	0.124

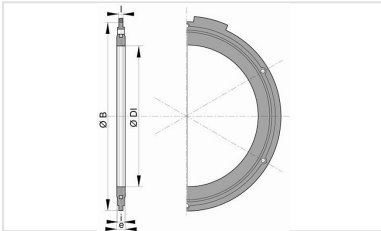
## PN63

DN	PN	Gaskets		Bolts HM				Washers	
		References	Mass	Number	Dimensions	References	Mass	References	Mass
80	63	-	-	8	HM 20 110 76	JXM20BG110	0.381	JXM20RGE	0.011
100	63	-	-	8	HM 24 130 93	JXM24BG130	0.655	JXM24RGE	0.020
125	63	-	-	8	HM 27 130 90	JXM27BG130	0.885	JXM27RGE	0.020
150	63	-	-	8	HM 30 140 93	JXM30BG140	1.226	JXM30RGE	0.021
200	63	-	-	12	HM 33 160 100	JXM33BG160	1.672	JXM33RGE	0.040
250	63	-	-	12	HM 33 160 100	JXM33BG160	1.672	JXM33RGE	0.040
300	63	-	-	16	HM 33 180 117	JXM33BG180	1.806	JXM33RGE	0.040
400	63	JBB40GV4	3.058	16	HM 39 200 85	JXM39BG200	2.180	JXM39RGM	0.124
500	63	JBB50GV5	3.058	20	HM 45 240 105	JXM45BG240	2.195	JXM45RGM	0.067

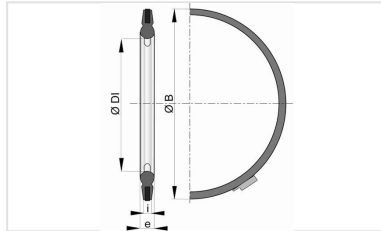
## PN100

DN	PN	Gaskets		Bolts HM				Washers	
		References	Mass	Number	Dimensions	References	Mass	References	Mass
80	100	-	-	8	HM 24 130 93	JXM24BG130	0.655	JXM24RGE	0.020
100	100	-	-	8	HM 27 130 90	JXM27BG130	0.885	JXM27RGE	0.020
125	100	-	-	8	HM 30 140 93	JXM30BG140	1.226	JXM30RGE	0.021
150	100	-	-	12	HM 30 160 110	JXM30BG160	1.335	JXM30RGE	0.021
200	100	-	-	12	HM 33 190 80	JXM33BG190	2.000	JXM33RGE	0.040

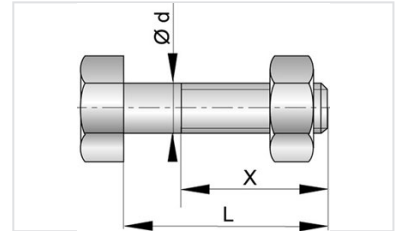
**Linked products**



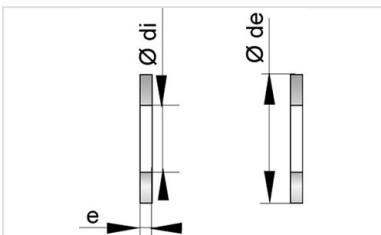
Flanged Gasket DN40-2000



Flanged Gasket for flanged joint PN40-63



Hot Galvanized Steel Bolt for Flanged Joint



Galvanised Steel Washers for Bolts

*The information on this sketch is, to the best of our knowledge correct at the time of printing. However Saint-Gobain are constantly looking at ways of improving their products and services therefore reserve the right to change without prior notice, any of the data shown. Any orders placed will be subject to our Standard Conditions of Sale, available on request.*

*COPYRIGHT AND DESIGN RIGHT: This drawing is the exclusive property of Saint-Gobain PAM UK and is confidential and must not be reproduced or disclosed for any third party without written consent. It must be used only for the purpose for which it has been issued and is returnable on request*