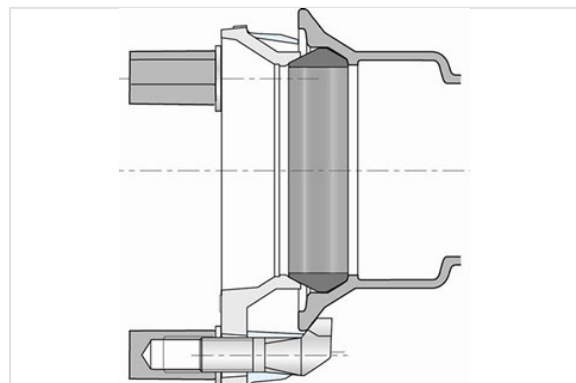
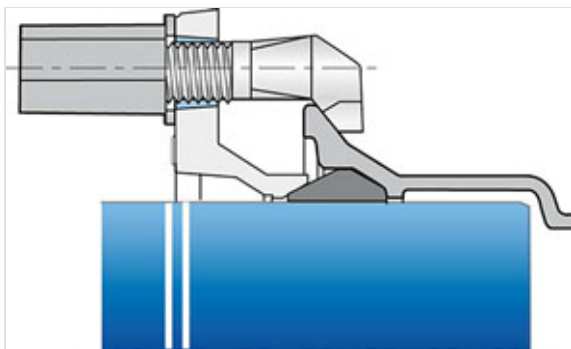


## Kit Express New Joint for Express Fittings DN60-150



The Express New is a mechanical joint. The watertightness is made by the axial compression of an elastomer gasket thanks to a gland tightened with iron bolts.

DN	Angular deflection	PFA	Mass	References
60 mm	5 °	40 bar	2.43 kg	JWA60KNN2
80 mm	5 °	40 bar	2.93 kg	JWA80KNN2
100 mm	5 °	40 bar	3.40 kg	JWB10KNN2
125 mm	5 °	40 bar	3.91 kg	JWB12KNN2
150 mm	5 °	40 bar	4.78 kg	JWB15KNN2



### Field of use:

- For drinking water networks

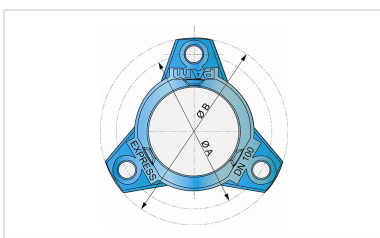
### Main characteristics:

- Elastomer quality: EPDM (EN 681-1)
- Coating of the gland: Aquacoat fittings
- Iron bolts (Galvanization + parkerization + black cataphoresis)
- EN 545
- High angular deflection possible

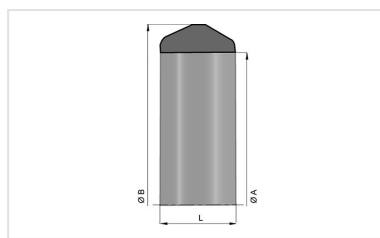
### Details

DN mm	Mass of gland kg	Reference of gland	Mass of gasket kg	References of gasket	Mass of bolts kg	Number	References of bolts
60	1.930	JTA60ANN2	0.080	JTA60BA	0.344	3	JXM20NN77D
80	1.978	JTA80ANN2	0.080	JTA80BA	0.344	3	JXM20NN77D
100	2.280	JTB10ANN2	0.120	JTB10BA	0.344	3	JXM20NN77D
125	3.000	JTB12ANN2	1.200	JTB12BA	0.344	4	JXM20NN77D
150	3.180	JTB15ANN2	0.200	JTB15BA	0.344	4	JXM20NN77D

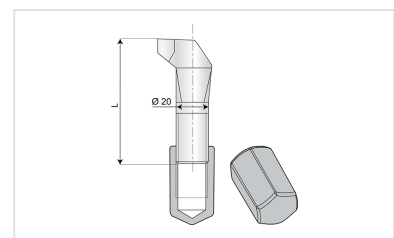
### Linked products



Express New Gland  
DN60-250



Express New Gasket  
DN60-150



Express New Bolt

The information on this sketch is, to the best of our knowledge correct at the time of printing. However Saint-Gobain are constantly looking at ways of improving their products and services therefore reserve the right to change without prior notice, any of the data shown. Any orders placed will be subject to our Standard Conditions of Sale, available on request.

**COPYRIGHT AND DESIGN RIGHT:** This drawing is the exclusive property of Saint-Gobain PAM UK and is confidential and must not be reproduced or disclosed for any third party without written consent. It must be used only for the purpose for which it has been issued and is returnable on request