



Product 257812 shown.

RECOMMENDED FOR USE IN:

Carriageways carrying continuous heavy traffic where frequent access to below ground drainage networks for maintenance purposes are required.

**Watershed D400
Hinged Grating Range**

A single piece captive hinge makes maintenance and cleaning operations easier and also prevents theft of the product. Available in a choice of left hand, right hand or kerb-facing hinge orientations, the Watershed grating range can be used on any road, including one-way systems.



HEALTH AND SAFETY

To help reduce work-related injuries, an ergonomic hinged design makes opening simpler, easier and safer to access the drainage network.



ACCREDITATION

Third-party certified by BSI and kitemarked to the requirements of BS EN 124. Compliant to the requirements of National Highways advice note CD534 and BS7903.



SECURITY

A captive hinged grating offers improved anti-theft and security capabilities.



PERFORMANCE

The unit is non rock and silent in operation. Large multi-directional wedge seatings enhance stability and durability which reduces whole life costs.



WATER CLEARING EFFICIENCY

An efficient water clearing capacity aids the effective removal of surface water.



SAVE TIME AND COST

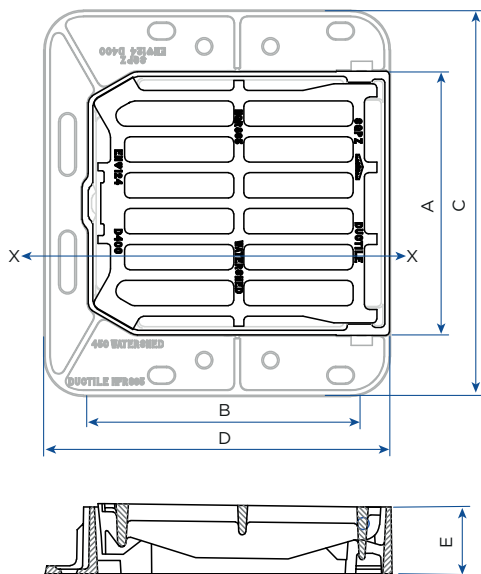
Available with the Install Plus frame levelling and installation system as standard.

WATERSHED D400 HINGED GRATING RANGE	ISSUE NO:	SGPUK010	DATE:	02.2024
Manufactured in the UK to the highest quality, environmental and health and safety standards.				

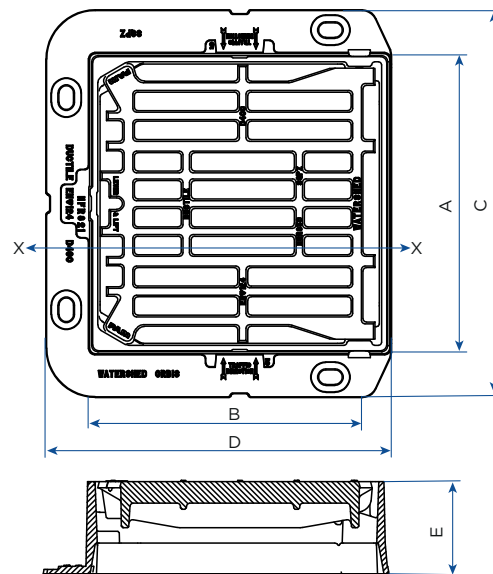
WATERSHED D400 HINGED GRATING RANGE - KERB HINGED

Product Code	Product Code with Install Plus	BS EN 124 Class	Clear Opening A x B (mm)	Over Base C x D (mm)	Depth E (mm)	Waterway Area (cm ²)	HA102 Grating Type	Total Mass (kg)	Pallet Qty	Previous Ref
EDWS43EK	255537	D400	370 x 430	590 x 525	100	980	R	35.7	20	HR865 1
187136	N/A	D400	370 x 430	630 x 575	100	980	R	48.2	20	HR863 1
256787	N/A	D400	445 x 400	550 x 534	100	1158	R	42	20	HR852 1
257782	TBC	D400	454 x 454	600 x 540	100	1221	R	48	20	HR830 1
257812	TBC	D400	454 x 454	600 x 540	150	R	62	20	HR831 1	

KERB HINGED



SECTION ON X-X
Product EDWS34EK shown



SECTION ON X-X
Product 257812 shown

Notes

+ For Install Plus details see Install Plus information sheet #266319, 266320 and 257812 have a 75mm flange
 * Locked Units using Spring Clip ** Locked Unit using Spring Arm
 For details of the Watershed Orbis Pedestrian grating variant please refer to datasheet reference number SGPUK007. Produced at Holwell Works, UK

The information on this sketch is, to the best of our knowledge, correct at the time of printing. However, Saint-Gobain are constantly looking at ways of improving their products and services therefore reserve the right to change without prior notice, any of the data shown. Any orders placed will be subject to our Standard Conditions of Sale, available on request.

COPYRIGHT AND DESIGN RIGHT

This drawing is the exclusive property of Saint-Gobain PAM UK and is confidential and must not be reproduced or disclosed for any third party without written consent. It must be used only for the purpose for which it has been issued and is returnable on request.