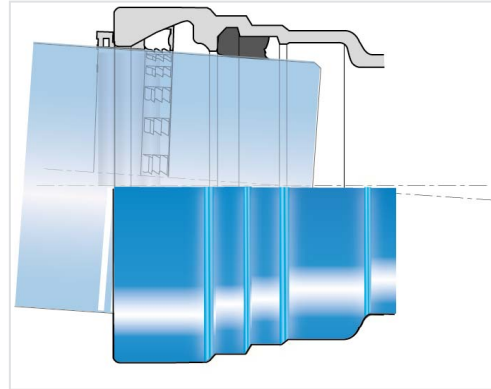


Kit Accesorio Universal Standard PECB + Junta Universal Standard Vi



Codo Universal Standard

| DN | Ángulo | Peso total | Referencias |
|-----|--------|------------|-----------------|
| 80 | 45° | 11 kg | SFA80CB00TT-E06 |
| 80 | 22°30 | 15.4 kg | SFA80CD00TT-E06 |
| 80 | 11°15 | 15.1 kg | SFA80CE00TT-E06 |
| 100 | 45° | 18.8 kg | SFB10CB00TT-E06 |
| 100 | 22°30 | 17.9 kg | SFB10CD00TT-E06 |
| 100 | 11°15 | 17.8 kg | SFB10CE00TT-E06 |
| 125 | 11°15 | 17.5 kg | SFB12CE00TT-E06 |
| 150 | 45° | 28.2 kg | SFB15CB00TT-E06 |
| 150 | 22°30 | 26.8 kg | SFB15CD00TT-E06 |
| 150 | 11°15 | 26.2 kg | SFB15CE00TT-E06 |
| 200 | 90° | 49.54 kg | SFB20CA00TT-E06 |
| 200 | 45° | 42.74 kg | SFB20CB00TT-E06 |
| 200 | 30° | 40.34 kg | SFB20CC00TT-E06 |
| 200 | 22°30 | 38.44 kg | SFB20CD00TT-E06 |
| 200 | 11°15 | 37.64 kg | SFB20CE00TT-E06 |
| 250 | 90° | 67.02 kg | SFB25CA00TT-E06 |
| 250 | 45° | 56.72 kg | SFB25CB00TT-E06 |
| 250 | 30° | 53.52 kg | SFB25CC00TT-E06 |
| 250 | 22°30 | 52.62 kg | SFB25CD00TT-E06 |
| 250 | 11°15 | 50.32 kg | SFB25CE00TT-E06 |
| 300 | 90° | 97.98 kg | SFB30CA00TT-E06 |

| DN | Ángulo | Peso total | Referencias |
|-----|--------|------------|-----------------|
| 300 | 45° | 81.38 kg | SFB30CB00TT-E06 |
| 300 | 30° | 77.98 kg | SFB30CC00TT-E06 |
| 300 | 22°30 | 74.48 kg | SFB30CD00TT-E06 |
| 300 | 11°15 | 68.68 kg | SFB30CE00TT-E06 |
| 400 | 90° | 146.56 kg | SFB40CA00TT-E06 |
| 400 | 45° | 118.76 kg | SFB40CB00TT-E06 |
| 400 | 30° | 107.56 kg | SFB40CC00TT-E06 |
| 400 | 22°30 | 103.36 kg | SFB40CD00TT-E06 |
| 400 | 11°15 | 92.56 kg | SFB40CE00TT-E06 |
| 500 | 90° | 242.86 kg | SFB50CA00TT-E06 |
| 500 | 45° | 183.96 kg | SFB50CB00TT-E06 |
| 500 | 30° | 172.16 kg | SFB50CC00TT-E06 |
| 500 | 22°30 | 169.16 kg | SFB50CD00TT-E06 |
| 500 | 11°15 | 147.16 kg | SFB50CE00TT-E06 |
| 600 | 90° | 360.62 kg | SFB60CA00TT-E06 |
| 600 | 45° | 294.32 kg | SFB60CB00TT-E06 |
| 600 | 30° | 244.62 kg | SFB60CC00TT-E06 |
| 600 | 22°30 | 232.32 kg | SFB60CD00TT-E06 |
| 600 | 11°15 | 201.32 kg | SFB60CE00TT-E06 |

Cono Universal Standard

| DN | Ø dn | Peso total | Referencias |
|-----|------|------------|-----------------|
| 150 | 100 | 21 kg | SFB15VE0FTT-E06 |
| 250 | 200 | 41.98 kg | SFB25VE0KTT-E06 |
| 400 | 300 | 90.27 kg | SFB40VE0MTT-E06 |
| 500 | 400 | 131.86 kg | SFB50VE0NTT-E06 |

Te Universal

| DN | Ø dn | Peso total | Referencias |
|-----|------|------------|-----------------|
| 100 | 100 | 25.4 kg | SFB10TE0FTT-E06 |
| 150 | 100 | 34.4 kg | SFB15TE0FTT-E06 |
| 150 | 150 | 40 kg | SFB15TE0JTT-E06 |
| 200 | 100 | 48.24 kg | SFB20TE0FTT-E06 |
| 250 | 250 | 81.33 kg | SFB25TE0LTT-E06 |
| 300 | 100 | 82.38 kg | SFB30TE0FTT-E06 |

Te Universal

| DN | Ø dn | PN | Peso total | Referencias |
|-----|------|-------------|------------|-----------------|
| 100 | 80 | 10 16 25 40 | 22 kg | SFB10UD1ETT-E06 |
| 100 | 100 | 10 16 | 23.3 kg | SFB10UD1FTT-E06 |
| 100 | 100 | 25 40 | 23.8 kg | SFB10UD3FTT-E06 |
| 125 | 80 | 10 16 25 40 | 22.5 kg | SFB12UD1ETT-E06 |
| 150 | 100 | 10 16 | 32.6 kg | SFB15UD1FTT-E06 |
| 150 | 150 | 10 16 | 37.6 kg | SFB15UD1JTT-E06 |
| 200 | 80 | 10 16 25 40 | 44.64 kg | SFB20UD1ETT-E06 |
| 200 | 100 | 10 16 | 46.74 kg | SFB20UD1FTT-E06 |
| 200 | 100 | 25 40 | 47.24 kg | SFB20UD3FTT-E06 |
| 200 | 200 | 16 | 58.74 kg | SFB20UD2KTT-E06 |
| 250 | 100 | 25 40 | 61.46 kg | SFB25UD3FTT-E06 |
| 250 | 250 | 16 | 82.42 kg | SFB25UD2LTT-E06 |
| 300 | 80 | 10 16 25 40 | 72.48 kg | SFB30UD1ETT-E06 |
| 300 | 100 | 10 16 | 82.88 kg | SFB30UD1FTT-E06 |
| 300 | 100 | 25 40 | 83.38 kg | SFB30UD3FTT-E06 |
| 300 | 150 | 10 16 | 89.28 kg | SFB30UD1JTT-E06 |
| 300 | 300 | 16 | 111.98 kg | SFB30UD2MTT-E06 |
| 400 | 80 | 10 16 25 40 | 90.96 kg | SFB40UD1ETT-E06 |
| 400 | 100 | 10 16 | 93.56 kg | SFB40UD1FTT-E06 |
| 400 | 100 | 25 40 | 94.56 kg | SFB40UD3FTT-E06 |
| 400 | 150 | 25 40 | 110.76 kg | SFB40UD3JTT-E06 |
| 400 | 400 | 10 | 180.24 kg | SFB40UD1NTT-E06 |
| 500 | 80 | 10 16 25 40 | 157.86 kg | SFB50UD1ETT-E06 |
| 500 | 100 | 10 16 | 155.16 kg | SFB50UD1FTT-E06 |
| 500 | 150 | 10 16 | 174.16 kg | SFB50UD1JTT-E06 |
| 500 | 200 | 10 | 188.16 kg | SFB50UD1KTT-E06 |
| 500 | 200 | 16 | 188.06 kg | SFB50UD2KTT-E06 |
| 500 | 300 | 10 | 205.46 kg | SFB50UD1MTT-E06 |
| 500 | 300 | 16 | 204.76 kg | SFB50UD2MTT-E06 |
| 500 | 400 | 16 | 239.96 kg | SFB50UD2NTT-E06 |
| 500 | 500 | 10 | 358.16 kg | SFB50UD1QTT-E06 |
| 500 | 500 | 16 | 371.16 kg | SFB50UD2QTT-E06 |
| 600 | 100 | 10 16 | 238.12 kg | SFB60UD1FTT-E06 |

| DN | Ø dn | PN | Peso total | Referencias |
|-----|------|-------|------------|-----------------|
| 600 | 150 | 10 16 | 239.48 kg | SFB60UD1JTT-E06 |
| 600 | 150 | 25 40 | 241.52 kg | SFB60UD3JTT-E06 |
| 600 | 200 | 10 | 247.32 kg | SFB60UD1KTT-E06 |
| 600 | 200 | 16 | 247.32 kg | SFB60UD2KTT-E06 |
| 600 | 250 | 16 | 294.52 kg | SFB60UD2LTT-E06 |
| 600 | 300 | 10 | 305.32 kg | SFB60UD1MTT-E06 |
| 600 | 300 | 16 | 305.32 kg | SFB60UD2MTT-E06 |
| 600 | 400 | 16 | 317.12 kg | SFB60UD2NTT-E06 |
| 600 | 600 | 10 | 395.32 kg | SFB60UD1RTT-E06 |
| 600 | 600 | 16 | 420.32 kg | SFB60UD2RTT-E06 |

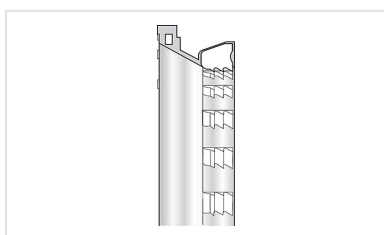
Brida-enchufe Universal

| DN | PN | Peso total | Referencias |
|-----|-------|------------|-----------------|
| 100 | 10 16 | 11.7 kg | SFB10BE10TT-E06 |
| 100 | 25 40 | 12.71 kg | SFB10BE30TT-E06 |
| 125 | 10 16 | 12 kg | SFB12BE10TT-E06 |
| 150 | 10 16 | 21.9 kg | SFB15BE10TT-E06 |
| 150 | 25 40 | 19.61 kg | SFB15BE30TT-E06 |
| 200 | 10 | 26.27 kg | SFB20BE10TT-E06 |
| 200 | 16 | 26.27 kg | SFB20BE20TT-E06 |
| 200 | 25 | 29.47 kg | SFB20BE30TT-E06 |
| 250 | 10 | 35.81 kg | SFB25BE10TT-E06 |
| 250 | 16 | 35.81 kg | SFB25BE20TT-E06 |
| 250 | 25 | 40.98 kg | SFB25BE30TT-E06 |
| 250 | 40 | 44.11 kg | SFB25BE40TT-E06 |
| 300 | 10 | 49.49 kg | SFB30BE10TT-E06 |
| 300 | 16 | 49.49 kg | SFB30BE20TT-E06 |
| 300 | 25 | 52.19 kg | SFB30BE30TT-E06 |
| 300 | 40 | 78.89 kg | SFB30BE40TT-E06 |
| 400 | 10 | 64.88 kg | SFB40BE10TT-E06 |
| 400 | 16 | 64.52 kg | SFB40BE20TT-E06 |
| 400 | 25 | 73.52 kg | SFB40BE30TT-E06 |
| 500 | 10 | 114.08 kg | SFB50BE10TT-E06 |
| 500 | 16 | 91.82 kg | SFB50BE20TT-E06 |
| 500 | 25 | 97.82 kg | SFB50BE30TT-E06 |

| DN | PN | Peso total | Referencias |
|-----|----|------------|-----------------|
| 600 | 10 | 166.16 kg | SFB60BE10TT-E06 |
| 600 | 16 | 191.16 kg | SFB60BE20TT-E06 |
| 600 | 25 | 194.16 kg | SFB60BE30TT-E06 |

| DN mm | PFA bar |
|----------|------------|
| 80 | 100 |
| 100 | 56 |
| 125 | 52 |
| 150 | 48 |
| 200 | 43 |
| 250 | 39 |
| 300 | 34 |
| 400 | 20 |
| 500 | 16 |
| 600 | 16 |
| 700 | 10 |

Productos vinculados



Junta Standard Universal Vi
para Tuberías y Accesorios
Standard Universal