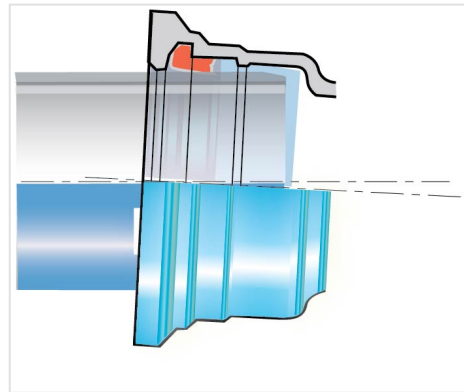


### Kit Codo Standard AQB + Junta Standard

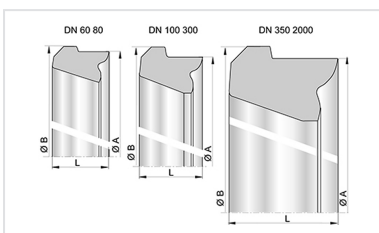


DN	Ángulo	Peso total	Referencias
60	90°	6.42 kg	NSA60CA00NN2-E00
60	45°	6.72 kg	NSA60CB00NN2-E00
60	22°30	5.12 kg	NSA60CD00NN2-E00
60	11°15	5.32 kg	NSA60CE00NN2-E00
80	90°	7.9 kg	NSA80CA00NN2-E00
80	45°	7.3 kg	NSA80CB00NN2-E00
80	22°30	6.5 kg	NSA80CD00NN2-E00
80	11°15	6.8 kg	NSA80CE00NN2-E00
100	90°	10.4 kg	NSB10CA00NN2-E00
100	45°	9.3 kg	NSB10CB00NN2-E00
100	22°30	8.2 kg	NSB10CD00NN2-E00
100	11°15	8.3 kg	NSB10CE00NN2-E00
125	45°	12.78 kg	NSB12CB00NN2-E00
125	22°30	10.38 kg	NSB12CD00NN2-E00
125	11°15	10.78 kg	NSB12CE00NN2-E00
150	90°	18.68 kg	NSB15CA00NN2-E00
150	45°	16.18 kg	NSB15CB00NN2-E00
150	22°30	12.78 kg	NSB15CD00NN2-E00
150	11°15	13.18 kg	NSB15CE00NN2-E00
200	90°	29.96 kg	NSB20CA00NN2-E00
200	45°	24.46 kg	NSB20CB00NN2-E00
200	22°30	19.76 kg	NSB20CD00NN2-E00

DN	Ángulo	Peso total	Referencias
200	11°15	19.96 kg	NSB20CE00NN2-E00
250	90°	50.6 kg	NSB25CA00NN2-E00
250	45°	41.5 kg	NSB25CB00NN2-E00
250	22°30	33.2 kg	NSB25CD00NN2-E00
250	11°15	31.5 kg	NSB25CE00NN2-E00
300	90°	74.12 kg	NSB30CA00NN2-E00
300	45°	60.42 kg	NSB30CB00NN2-E00
300	22°30	43.62 kg	NSB30CD00NN2-E00
300	11°15	41.12 kg	NSB30CE00NN2-E00

DN mm	Clase	PFA bar
60	C40	40
80	C40	40
100	C40	40
125	C40	40
150	C40	40
200	C40	40
250	C40	40
300	C40	40

## Productos vinculados



Junta de elastómero  
Standard para Tubería y  
Accesorios DN60-2000