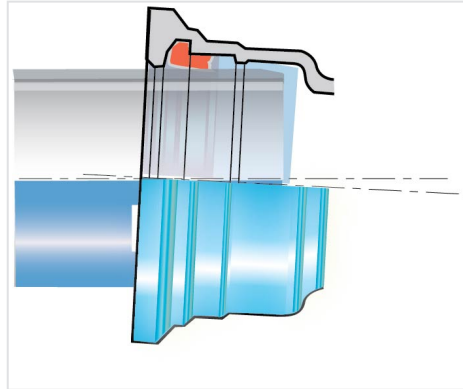


## Kit Te Standard AQB + Junta Standard

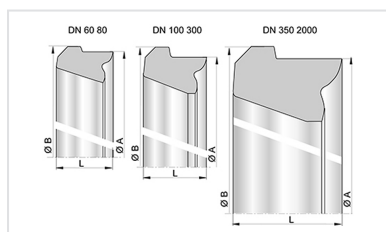


DN	Ø dn	Peso total	Referencias
60	60	9.03 kg	NSA60TE0CNN2-E00
80	80	11.65 kg	NSA80TE0ENN2-E00
100	100	15.5 kg	NSB10TE0FNN2-E00
125	80	16.13 kg	NSB12TE0ENN2-E00
125	100	33.08 kg	NSB12TE0FNN2-E00
125	125	21.72 kg	NSB12TE0GNN2-E00
150	80	18.93 kg	NSB15TE0ENN2-E00
150	100	20.58 kg	NSB15TE0FNN2-E00
150	150	27.87 kg	NSB15TE0JNN2-E00
200	100	28.46 kg	NSB20TE0FNN2-E00
200	125	30.7 kg	NSB20TE0GNN2-E00
200	150	33.35 kg	NSB20TE0JNN2-E00
200	200	41.84 kg	NSB20TE0KNN2-E00
250	80	31.75 kg	NSB25TE0ENN2-E00
250	100	33.5 kg	NSB25TE0FNN2-E00
250	150	38.19 kg	NSB25TE0JNN2-E00
250	200	43.38 kg	NSB25TE0KNN2-E00
250	250	51.2 kg	NSB25TE0LNN2-E00
300	100	42.62 kg	NSB30TE0FNN2-E00
300	150	47.71 kg	NSB30TE0JNN2-E00
300	200	53.9 kg	NSB30TE0KNN2-E00
300	250	62.32 kg	NSB30TE0LNN2-E00

DN	Ø dn	Peso total	Referencias
300	300	71.13 kg	NSB30TE0MNN2-E00

DN mm	Clase	PFA bar
60	C40	40
80	C40	40
100	C40	40
125	C40	40
150	C40	40
200	C40	40
250	C40	40
300	C40	40

### Productos vinculados



Junta de elastómero  
Standard para Tubería y  
Accesorios DN60-2000