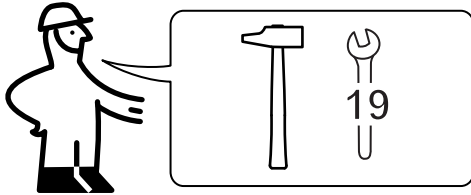


# PAM **D36**

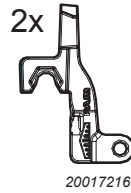
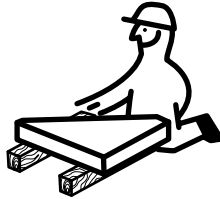
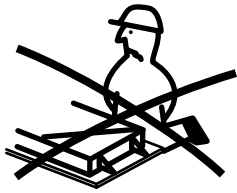
T-MAX i D400

**K1C - K2C - K3C**

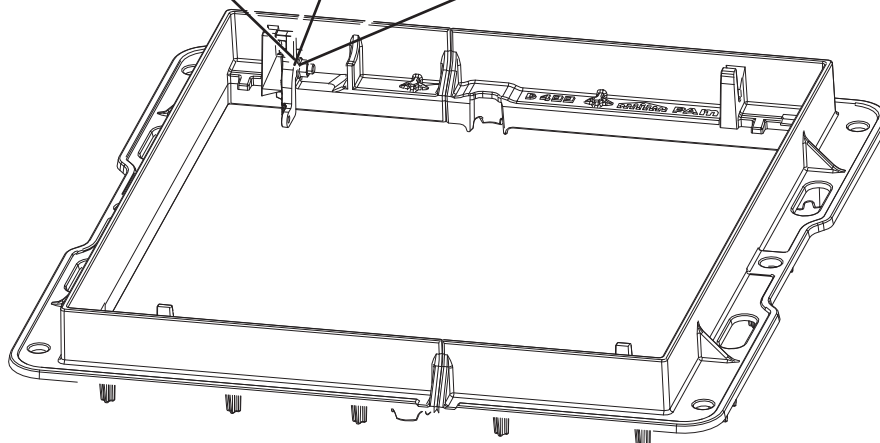
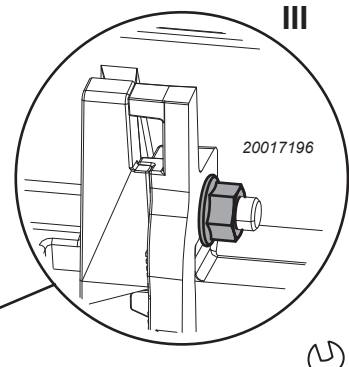
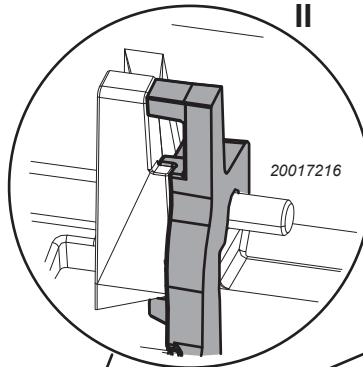
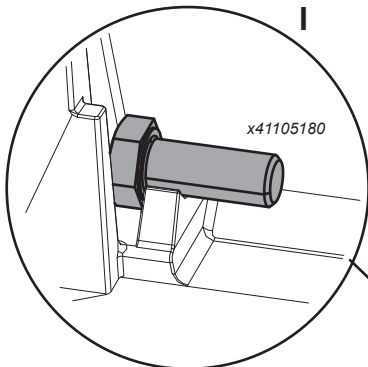
- Kit de 2 Pontets de recharge pour trappe T-Max i D400 K1C
- Replacement set for small security bridges to T-Max i K1C D400 duct



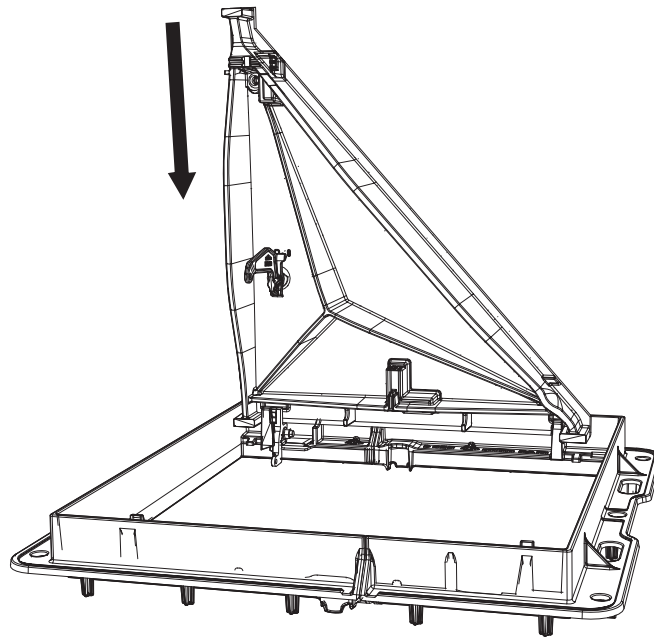
**Kit**  
K1C = 1 D36  
K2C = 2 D36  
K3C = 3 D36



**1**



2



3

