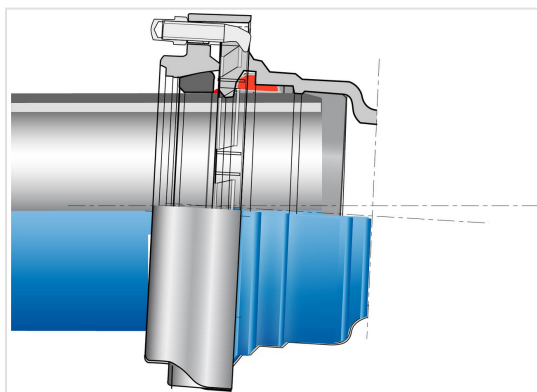


Kit Accesorio Standard AQB + Junta Standard Ve



Codos Standard

Ángulo	DN	Peso total	Referencias
90°	80	19.12 kg	NSA80CA00NN2-E02
45°	80	18.52 kg	NSA80CB00NN2-E02
22°30	80	17.72 kg	NSA80CD00NN2-E02
11°15	80	18.02 kg	NSA80CE00NN2-E02
90°	100	21.52 kg	NSB10CA00NN2-E02
45°	100	22.98 kg	NSB10CB00NN2-E02
22°30	100	21.88 kg	NSB10CD00NN2-E02
11°15	100	21.98 kg	NSB10CE00NN2-E02
45°	125	30.62 kg	NSB12CB00NN2-E02
22°30	125	28.22 kg	NSB12CD00NN2-E02
11°15	125	28.62 kg	NSB12CE00NN2-E02
90°	150	40.22 kg	NSB15CA00NN2-E02
45°	150	37.72 kg	NSB15CB00NN2-E02
22°30	150	34.32 kg	NSB15CD00NN2-E02
11°15	150	34.72 kg	NSB15CE00NN2-E02
90°	200	58.2 kg	NSB20CA00NN2-E02
45°	200	52.7 kg	NSB20CB00NN2-E02
22°30	200	48 kg	NSB20CD00NN2-E02
11°15	200	48.2 kg	NSB20CE00NN2-E02
90°	250	107.68 kg	NSB25CA00NN2-E02
45°	250	98.58 kg	NSB25CB00NN2-E02

Ángulo	DN	Peso total	Referencias
22°30	250	90.28 kg	NSB25CD00NN2-E02
11°15	250	88.58 kg	NSB25CE00NN2-E02
90°	300	150.16 kg	NSB30CA00NN2-E02
45°	300	136.46 kg	NSB30CB00NN2-E02
22°30	300	119.66 kg	NSB30CD00NN2-E02
11°15	300	117.16 kg	NSB30CE00NN2-E02

Te con 2 enchufes Standard

DN	Ø dn	PN	Peso total	Referencias
80	60	10 16	22.19 kg	NSA80UD1CNN2-E02
80	60	25 40	22.22 kg	NSA80UD3CNN2-E02
80	80	10 16 25 40	23.49 kg	NSA80UD1ENN2-E02
100	40	10 16 25 40	26.08 kg	NSB10UD1ANN2-E02
100	60	10 16	26.55 kg	NSB10UD1CNN2-E02
100	60	25 40	26.58 kg	NSB10UD3CNN2-E02
100	80	10 16 25 40	28.15 kg	NSB10UD1ENN2-E02
100	100	10 16	29.78 kg	NSB10UD1FNN2-E02
100	100	25 40	30.98 kg	NSB10UD3FNN2-E02
125	40	10 16 25 40	32.62 kg	NSB12UD1ANN2-E02
125	60	10 16	33.09 kg	NSB12UD1CNN2-E02
125	60	25 40	33.12 kg	NSB12UD3CNN2-E02
125	80	10 16 25 40	34.59 kg	NSB12UD1ENN2-E02
125	100	10 16	36.12 kg	NSB12UD1FNN2-E02
125	100	25 40	37.32 kg	NSB12UD3FNN2-E02
125	125	10 16	40.55 kg	NSB12UD1GNN2-E02
125	125	25 40	42.22 kg	NSB12UD3GNN2-E02
150	150	25 40	52.62 kg	NSB15UD3JNN2-E02
150	40	10 16 25 40	39.22 kg	NSB15UD1ANN2-E02
150	60	10 16	39.69 kg	NSB15UD1CNN2-E02
150	60	25 40	39.72 kg	NSB15UD3CNN2-E02
150	80	10 16 25 40	41.19 kg	NSB15UD1ENN2-E02
150	100	10 16	42.82 kg	NSB15UD1FNN2-E02
150	100	25 40	44.02 kg	NSB15UD3FNN2-E02
150	150	10 16	50.58 kg	NSB15UD1JNN2-E02
200	40	10 16 25 40	54.1 kg	NSB20UD1ANN2-E02

DN	Ø dn	PN	Peso total	Referencias
200	60	10 16	54.57 kg	NSB20UD1CNN2-E02
200	60	25 40	54.6 kg	NSB20UD3CNN2-E02
200	80	10 16 25 40	55.47 kg	NSB20UD1ENN2-E02
200	100	10 16	57.4 kg	NSB20UD1FNN2-E02
200	100	25 40	58.6 kg	NSB20UD3FNN2-E02
200	150	10 16	62.86 kg	NSB20UD1JNN2-E02
200	150	25 40	64.9 kg	NSB20UD3JNN2-E02
200	200	10	73.7 kg	NSB20UD1KNN2-E02
200	200	16	73.6 kg	NSB20UD2KNN2-E02
200	200	25	75.1 kg	NSB20UD3KNN2-E02
250	60	10 16	89.48 kg	NSB25UD1CNN2-E02
250	60	25 40	89.08 kg	NSB25UD3CNN2-E02
250	80	10 16 25 40	89.38 kg	NSB25UD1ENN2-E02
250	150	10 16	97.08 kg	NSB25UD1JNN2-E02
250	150	25 40	99.08 kg	NSB25UD3JNN2-E02
250	200	10	105.08 kg	NSB25UD1KNN2-E02
250	200	16	105.28 kg	NSB25UD2KNN2-E02
250	200	25	106.58 kg	NSB25UD3KNN2-E02
250	250	10	113.88 kg	NSB25UD1LNN2-E02
250	250	16	113.88 kg	NSB25UD2LNN2-E02
250	250	25	116.58 kg	NSB25UD3LNN2-E02
300	60	10 16	119.16 kg	NSB30UD1CNN2-E02
300	60	25 40	118.76 kg	NSB30UD3CNN2-E02
300	80	10 16 25 40	118.96 kg	NSB30UD1ENN2-E02
300	150	10 16	126.26 kg	NSB30UD1JNN2-E02
300	150	25 40	128.26 kg	NSB30UD3JNN2-E02
300	200	10	135.76 kg	NSB30UD1KNN2-E02
300	200	16	135.96 kg	NSB30UD2KNN2-E02
300	200	25	137.26 kg	NSB30UD3KNN2-E02
300	250	10	145.36 kg	NSB30UD1LNN2-E02
300	250	16	145.36 kg	NSB30UD2LNN2-E02
300	250	25	148.06 kg	NSB30UD3LNN2-E02
300	300	10	156.56 kg	NSB30UD1MNN2-E02
300	300	16	156.06 kg	NSB30UD2MNN2-E02

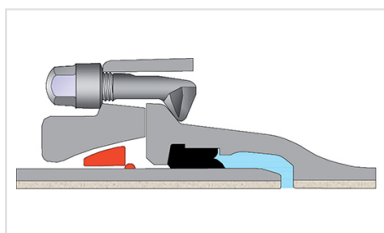
DN	Ø dn	PN	Peso total	Referencias
300	300	25	159.66 kg	NSB30UD3MNN2-E02

Brida-enchufe Standard

DN	PN	Peso total	Referencias
80	10 16 25 40	12.43 kg	NSA80BE10NN2-E02
100	10 16	15.04 kg	NSB10BE10NN2-E02
100	25 40	16.24 kg	NSB10BE30NN2-E02
125	10 16	19.39 kg	NSB12BE10NN2-E02
200	10	34.9 kg	NSB20BE10NN2-E02
200	16	34.8 kg	NSB20BE20NN2-E02
200	25	36.3 kg	NSB20BE30NN2-E02
250	10	60.34 kg	NSB25BE10NN2-E02
250	16	59.94 kg	NSB25BE20NN2-E02
250	25	62.84 kg	NSB25BE30NN2-E02
300	10	81.03 kg	NSB30BE10NN2-E02
300	16	80.33 kg	NSB30BE20NN2-E02
300	25	83.93 kg	NSB30BE30NN2-E02

DN mm	Clase	PFA bar
350	C30	27
400	C30	25
450	C30	23
500	C30	22
600	C30	20
700	C25	20
800	C25	16
900	C25	16
1000	C25	16
1100	C25	16
1200	C25	16

Productos vinculados



Junta Standard Ve para y
Accesorios Standard
DN80-1200