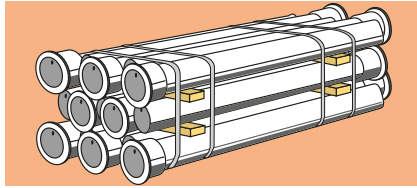


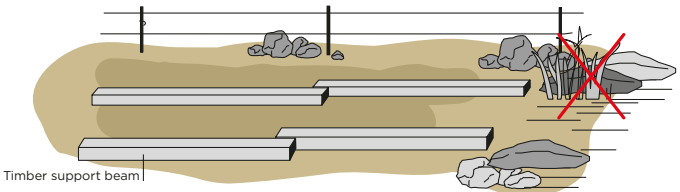
Storage



The contractor is responsible for analyzing and eliminating any risks during installation (especially the use of personal protective equipment).

1 PREPARE THE STORAGE AREA

The storage area for pipes, fittings and accessories must be organized for each type of products and also by diameter.



Do not store products on unstable or sloping ground.

Avoid:

- Marshy ground
- Contaminated ground
- Placing pipes directly on the ground

Support beams, spacers and chocks must be made from construction-grade lumber without any brittle knots. The minimum dimensions are specified in the following tables.

2 STORE THE GASKETS

(according to the latest version of ISO 2230)

In particular, **avoid:**

- Removing gaskets from their bags
- Exposing gaskets to sunlight
- High storage temperatures

Restrict storage times.

Storage life: in ten years for EPDM (drinking water systems) and seven years for other gaskets in optimal storage conditions (contact us for our recommendations).

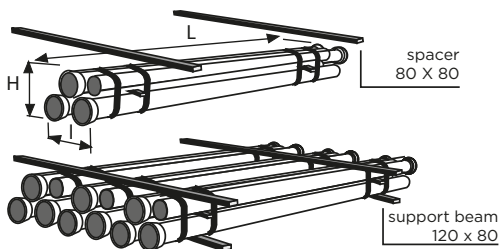
Refer to ISO 2230:2002 - Rubber products - Guidelines for storage



When installing pipes at low temperatures, bring rings up to a temperature of 20°C to ensure maximum flexibility (such as by immersing them in warm water).

3 DN 60 TO 300: DELIVERY IN BUNDLES

Stack while keeping the bundles perfectly square. Do not exceed the maximum heights specified in the following table.



Always ensure a good tension of the bundle straps. Never lift a bundle with hooks or vacuum pads. Use slings that **support the bundle from underneath** (the straps used to secure the bundles are not slings and are not designed to withstand the load).

Bundle stack heights

Maximum number of stackable bundles

Type of pipe	DN	Number of bundles on the ground	Max. no. stacked bundles	Bundle contents and dimensions			
				L m	W m	H m	Bundle weight (kg)
NATURAL INTEGRAL	60 (24 pipes/bundle)	6	6	6.3	0.54	0.49	1411
	80 (15 pipes/bundle)	5	6	6.3	0.57	0.42	1148
	100 (15 pipes/bundle)	5	6	6.3	0.67	0.50	1398
	125 (12 pipes/bundle)	4	5	6.3	0.65	0.58	1380
	150 (9 pipes/bundle)	3	5	6.3	0.59	0.66	1272
	200 (6 pipes/bundle)	3	5	6.3	0.75	0.56	1190
	250 (4 pipes/bundle)	2	4	6.3	0.63	0.67	1044
	300 (4 pipes/bundle)	2	4	6.3	0.74	0.77	1319
BLUTOP TOPAZ	75 (30 pipes/bundle)	4	6	6.3	0.534	0.564	927
	90 (30 pipes/bundle)	3	5	6.3	0.635	0.605	1095
	110 (20 pipes/bundle)	3	4	6.3	0.608	0.621	904
	125 (20 pipes/bundle)	3	4	6.3	0.668	0.697	1032
	140 (12 pipes/bundle)	3	4	6.3	0.631	0.531	902
	160 (12 pipes/bundle)	3	5	6.3	0.626	0.71	825

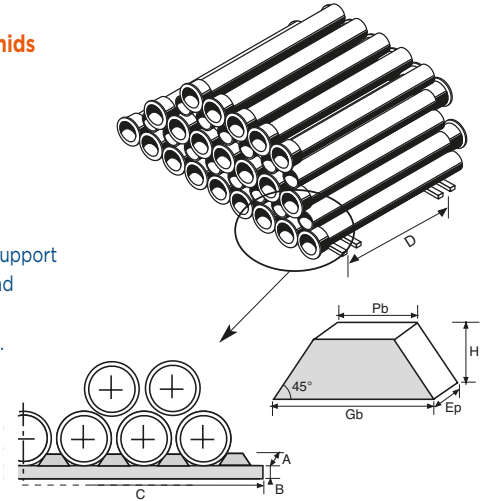
Storage

4 DN 350 TO 2000: LOOSE DELIVERIES

Stack pipes into pyramids or use spacers **without exceeding the maximum heights** specified in the tables on page 6 to avoid damaging the products.

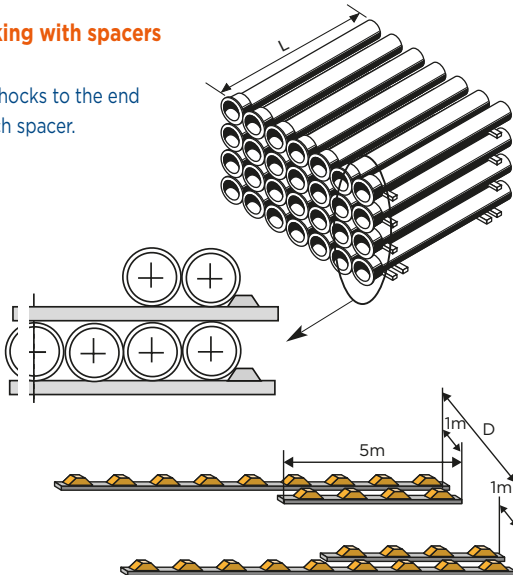
Stacking in pyramids

Nail chocks to the support beams on the ground (at the ends and between each pipe).



Stacking with spacers

Nail chocks to the end of each spacer.



To improve storage safety, add two extra support beams at the ends of the stack as shown above.

Bundle stack heights (DN 350 to 2000)

Pyramid - Standard Pipes			Spacers - Standard Pipes		
DN	Number of layers	Stack height (m)	DN	Number of layers	Stack height (m)
350	13	3.90	350	6	2.81
400	11	3.82	400	6	3.12
450	10	3.92	450	5	2.87
500	9	3.92	500	5	3.13
600	7	3.72	600	4	2.93
700	6	3.74	700	4	3.36
800	5	3.61	800	3	2.89
900	4	3.31	900	3	3.18
1000	4	3.67	1000	3	3.51
1100	3	3.10	1100	2	2.58
1200	3	3.38	1200	2	2.79
1400	3	3.95	1400	2	3.21
1500	2	2.95	1500	2	3.42
1600	2	3.13	1600	2	3.53
1800	2	3.52			
2000	2	3.91			

Stack chocks (DN 350 to 2000)

DN	Trapezoidal chocks				Support beams			
	Gb mm	Pb mm	Hc mm	Ep mm	A mm	B mm	C m	D m
350	330	170	80	80	100	100	5	4
400	360	200	80	80	100	100	5	4
450	400	200	100	80	100	100	5	4
500	430	230	100	80	100	100	5	4
600	490	250	120	80	100	100	5	4
700	570	330	120	100	120	100	5	4.5
800	640	340	150	100	120	100	5	4.5
900	710	410	150	100	130	120	5	4.5
1000	780	380	200	100	130	120	5	4.5
1100	850	450	200	100	130	120	5	5
1200	910	510	200	120	150	120	5	5
1400	1010	610	200	120	150	120	5	5
1500	1080	580	250	120	150	120	5	5
1600	1140	540	300	120	150	120	5	5
1800	1300	700	300	150	180	120	5	5
2000	1350	750	300	150	180	120	5	5