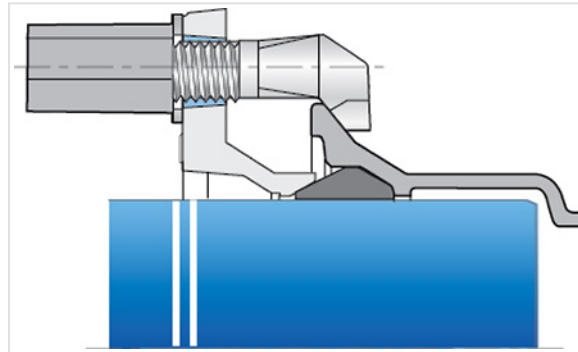


## Ensemble Raccord Express AQB + Joint Express



### Coude à joint Express

DN	Angle	Poids de l'ensemble	Référence
60	11°15	11.76 kg	NEA60CE00NN2-S00
60	22°30	11.66 kg	NEA60CD00NN2-S00
60	45°	12.76 kg	NEA60CB00NN2-S00
60	90°	12.46 kg	NEA60CA00NN2-S00
80	90°	14.86 kg	NEA80CA00NN2-S00
80	45°	14.26 kg	NEA80CB00NN2-S00
80	22°30	13.56 kg	NEA80CD00NN2-S00
80	11°15	13.76 kg	NEA80CE00NN2-S00
100	90°	13.64 kg	NEB10CA00NN2-S00
100	45°	12.84 kg	NEB10CB00NN2-S00
100	22°30	12.24 kg	NEB10CD00NN2-S00
125	90°	20.12 kg	NEB12CA00NN2-S00
125	45°	18.72 kg	NEB12CB00NN2-S00
125	22°30	17.92 kg	NEB12CD00NN2-S00
125	11°15	17.72 kg	NEB12CE00NN2-S00
150	90°	20.98 kg	NEB15CA00NN2-S00
150	45°	18.98 kg	NEB15CB00NN2-S00
150	22°30	17.88 kg	NEB15CD00NN2-S00
150	11°15	17.48 kg	NEB15CE00NN2-S00
200	90°	33.1 kg	NEB20CA00NN2-E00
200	45°	28.9 kg	NEB20CB00NN2-E00

DN	Angle	Poids de l'ensemble	Référence
200	22°30	26.8 kg	NEB20CD00NN2-E00
200	11°15	25.9 kg	NEB20CE00NN2-E00
250	90°	51.08 kg	NEB25CA00NN2-E00
250	45°	43.48 kg	NEB25CB00NN2-E00
250	22°30	39.58 kg	NEB25CD00NN2-E00
250	11°15	38.38 kg	NEB25CE00NN2-E00
300	90°	65.86 kg	NEB30CA00NN2-E00
300	45°	57.76 kg	NEB30CB00NN2-E00
300	22°30	50.76 kg	NEB30CD00NN2-E00
300	11°15	48.76 kg	NEB30CE00NN2-E00

### Manchon à joint Express

DN	Poids de l'ensemble	Référence
60	12.96 kg	NEA60MN00NN2-S00
80	14.96 kg	NEA80MN00NN2-S00
100	13.94 kg	NEB10MN00NN2-S00
125	19.82 kg	NEB12MN00NN2-S00
150	19.88 kg	NEB15MN00NN2-S00
200	28.8 kg	NEB20MN00NN2-E00
250	41.88 kg	NEB25MN00NN2-E00
300	52.36 kg	NEB30MN00NN2-E00

### Cône à joint Express

DN	Ø dn	Poids de l'ensemble	Référence
100	60	14.15 kg	NEB10VE0CNN2-S00
100	80	14.18 kg	NEB10VE0ENN2-S00
150	100	20.76 kg	NEB15VE0FNN2-S00
200	100	28.87 kg	NEB20VE0FNN2-E00
200	150	29.89 kg	NEB20VE0JNN2-E00
250	125	36.25 kg	NEB25VE0GNN2-E00
250	150	34.83 kg	NEB25VE0JNN2-E00
250	200	36.24 kg	NEB25VE0KNN2-E00
300	150	50.92 kg	NEB30VE0JNN2-E00
300	200	51.03 kg	NEB30VE0KNN2-E00
300	250	49.47 kg	NEB30VE0LNN2-E00

Tés 2E B Express

DN	Ø dn	PN	Poids de l'ensemble	Référence
60	40	10 16 25 40	15.06 kg	NEA60UD1ANN2-S00
60	60	10 16	15.93 kg	NEA60UD1CNN2-S00
60	60	25 40	15.96 kg	NEA60UD3CNN2-S00
60	65	10 16	16.52 kg	NEA60UD1DNN2-S00
60	65	25 40	16.96 kg	NEA60UD3DNN2-S00
80	40	10 16 25 40	16.96 kg	NEA80UD1ANN2-S00
80	60	10 16	17.43 kg	NEA80UD1CNN2-S00
80	60	25 40	17.46 kg	NEA80UD3CNN2-S00
80	65	10 16	18.02 kg	NEA80UD1DNN2-S00
80	65	25 40	18.46 kg	NEA80UD3DNN2-S00
80	80	10 16 25 40	19.43 kg	NEA80UD1ENN2-S00
100	40	10 16 25 40	19.54 kg	NEB10UD1ANN2-S00
100	60	10 16	20.61 kg	NEB10UD1CNN2-S00
100	60	25 40	20.64 kg	NEB10UD3CNN2-S00
100	65	10 16	21.2 kg	NEB10UD1DNN2-S00
100	65	25 40	21.64 kg	NEB10UD3DNN2-S00
100	80	10 16 25 40	22.21 kg	NEB10UD1ENN2-S00
100	100	10 16	23.44 kg	NEB10UD1FNN2-S00
100	100	25 40	24.64 kg	NEB10UD3FNN2-S00
125	40	10 16 25 40	26.42 kg	NEB12UD1ANN2-S00
125	60	10 16	27.69 kg	NEB12UD1CNN2-S00
125	60	25 40	27.72 kg	NEB12UD3CNN2-S00
125	65	10 16	28.28 kg	NEB12UD1DNN2-S00
125	65	25 40	28.72 kg	NEB12UD3DNN2-S00
125	80	10 16 25 40	29.39 kg	NEB12UD1ENN2-S00
125	100	10 16	30.72 kg	NEB12UD1FNN2-S00
125	100	25 40	31.92 kg	NEB12UD3FNN2-S00
125	125	10 16	33.25 kg	NEB12UD1GNN2-S00
125	125	25 40	34.92 kg	NEB12UD3GNN2-S00
150	40	10 16 25 40	27.88 kg	NEB15UD1ANN2-S00
150	60	10 16	29.25 kg	NEB15UD1CNN2-S00
150	60	25 40	29.28 kg	NEB15UD3CNN2-S00
150	65	10 16	29.84 kg	NEB15UD1DNN2-S00

DN	Ø dn	PN	Poids de l'ensemble	Référence
150	65	25 40	30.28 kg	NEB15UD3DNN2-S00
150	80	10 16 25 40	31.15 kg	NEB15UD1ENN2-S00
150	100	10 16	32.68 kg	NEB15UD1FNN2-S00
150	100	25 40	33.88 kg	NEB15UD3FNN2-S00
150	125	10 16	35.31 kg	NEB15UD1GNN2-S00
150	150	10 16	38.04 kg	NEB15UD1JNN2-S00
150	150	25 40	40.08 kg	NEB15UD3JNN2-S00
200	40	10 16 25 40	39.4 kg	NEB20UD1ANN2-E00
200	60	10 16	41.17 kg	NEB20UD1CNN2-E00
200	60	25 40	41.2 kg	NEB20UD3CNN2-E00
200	65	10 16	41.76 kg	NEB20UD1DNN2-E00
200	65	25 40	42.2 kg	NEB20UD3DNN2-E00
200	80	10 16 25 40	43.47 kg	NEB20UD1ENN2-E00
200	100	10 16	43.6 kg	NEB20UD1FNN2-E00
200	100	25 40	44.8 kg	NEB20UD3FNN2-E00
200	125	10 16	48.33 kg	NEB20UD1GNN2-E00
200	125	25 40	39.6 kg	NEB20UD3GNN2-E00
200	150	10 16	51.46 kg	NEB20UD1JNN2-E00
200	150	25 40	53.5 kg	NEB20UD3JNN2-E00
200	200	10	59.7 kg	NEB20UD1KNN2-E00
200	200	16	59.6 kg	NEB20UD2KNN2-E00
200	200	25	61.1 kg	NEB20UD3KNN2-E00
250	60	10 16	45.48 kg	NEB25UD1CNN2-E00
250	60	25	45.08 kg	NEB25UD3CNN2-E00
250	65	10 16	45.64 kg	NEB25UD1DNN2-E00
250	65	25 40	57.38 kg	NEB25UD3DNN2-E00
250	80	10 16 25 40	45.38 kg	NEB25UD1ENN2-E00
250	100	10 16	47.08 kg	NEB25UV1FNN2-E00
250	100	25 40	48.28 kg	NEB25UV3FNN2-E00
250	150	10 16	56.98 kg	NEB25UD1JNN2-E00
250	150	25 40	58.98 kg	NEB25UD3JNN2-E00
250	200	10	64.98 kg	NEB25UD1KNN2-E00
250	200	16	65.18 kg	NEB25UD2KNN2-E00
250	200	25	66.48 kg	NEB25UD3KNN2-E00

DN	Ø dn	PN	Poids de l'ensemble	Référence
250	250	10	73.78 kg	NEB25UD1LNN2-E00
250	250	16	73.78 kg	NEB25UD2LNN2-E00
250	250	25	76.48 kg	NEB25UD3LNN2-E00
300	60	10 16	63.26 kg	NEB30UD1CNN2-E00
300	60	25 40	62.86 kg	NEB30UD3CNN2-E00
300	65	10 16	79.12 kg	NEB30UD1DNN2-E00
300	80	10 16 25 40	63.06 kg	NEB30UD1ENN2-E00
300	100	10 16	58.15 kg	NEB30UV1FNN2-E00
300	100	25 40	59.35 kg	NEB30UV3FNN2-E00
300	150	10 16	71.36 kg	NEB30UD1JNN2-E00
300	150	25 40	73.36 kg	NEB30UD3JNN2-E00
300	200	10	80.86 kg	NEB30UD1KNN2-E00
300	200	16	81.06 kg	NEB30UD2KNN2-E00
300	200	25	82.36 kg	NEB30UD3KNN2-E00
300	250	10	90.46 kg	NEB30UD1LNN2-E00
300	250	16	90.46 kg	NEB30UD2LNN2-E00
300	250	25	93.16 kg	NEB30UD3LNN2-E00
300	300	10	101.66 kg	NEB30UD1MNN2-E00
300	300	16	101.16 kg	NEB30UD2MNN2-E00
300	300	25	104.76 kg	NEB30UD3MNN2-E00

### Bride Emboîtement à joint Express

DN	PN	Poids de l'ensemble	Référence
60	10 16	8.7 kg	NEA60BE10NN2-S00
60	25 40	8.73 kg	NEA60BE30NN2-S00
65	10 16	9.29 kg	NEA65BE10NN2-S00
65	25 40	9.73 kg	NEA65BE30NN2-S00
80	10 16 25 40	10.45 kg	NEA80BE10NN2-S00
100	10 16	9.87 kg	NEB10BE10NN2-S00
100	25 40	11.07 kg	NEB10BE30NN2-S00
125	10 16	13.99 kg	NEB12BE10NN2-S00
125	25 40	15.66 kg	NEB12BE30NN2-S00
150	10 16	15.03 kg	NEB15BE10NN2-S00
150	25 40	17.07 kg	NEB15BE30NN2-S00
200	10	23.4 kg	NEB20BE10NN2-E00

DN	PN	Poids de l'ensemble	Référence
200	16	23.3 kg	NEB20BE20NN2-E00
200	25	24.8 kg	NEB20BE30NN2-E00
250	10	34.19 kg	NEB25BE10NN2-E00
250	16	33.79 kg	NEB25BE20NN2-E00
250	25	36.69 kg	NEB25BE30NN2-E00
300	10	43.58 kg	NEB30BE10NN2-E00
300	16	42.88 kg	NEB30BE20NN2-E00
300	25	46.48 kg	NEB30BE30NN2-E00

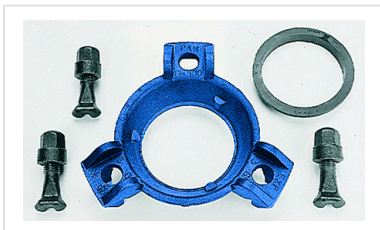
### Tés 3E à joint Express

DN	Ø dn	Poids de l'ensemble	Référence
60	60	18.59 kg	NEA60TE0CNN2-S00
80	80	22.24 kg	NEA80TE0ENN2-S00
100	100	25.06 kg	NEB10TE0FNN2-S00
125	125	49.241 kg	NEB12TE0GNN2-S00
150	60	31.51 kg	NEB15TE0CNN2-S00
150	80	32.04 kg	NEB15TE0ENN2-S00
150	100	34.9 kg	NEB15TE0FNN2-S00
150	150	40.72 kg	NEB15TE0JNN2-S00
200	60	42.83 kg	NEB20TE0CNN2-E00
200	80	44.38 kg	NEB20TE0ENN2-E00
200	100	46.72 kg	NEB20TE0FNN2-E00
200	150	53.04 kg	NEB20TE0JNN2-E00
200	200	63.45 kg	NEB20TE0KNN2-E00

DN	PFA
mm	bar
60	40
80	40
100	40
125	40
150	40
200	40
250	40
300	40

DN mm	PFA bar
350	25
400	25
450	25
500	25
600	25
700	25
800	25
900	25
1000	25
1100	25
1200	25

## Produits associés



Ensemble Joint Express  
pour Raccords Express  
DN200 à 1200



Ensemble Joint Express  
New pour Raccords  
Express DN60-150