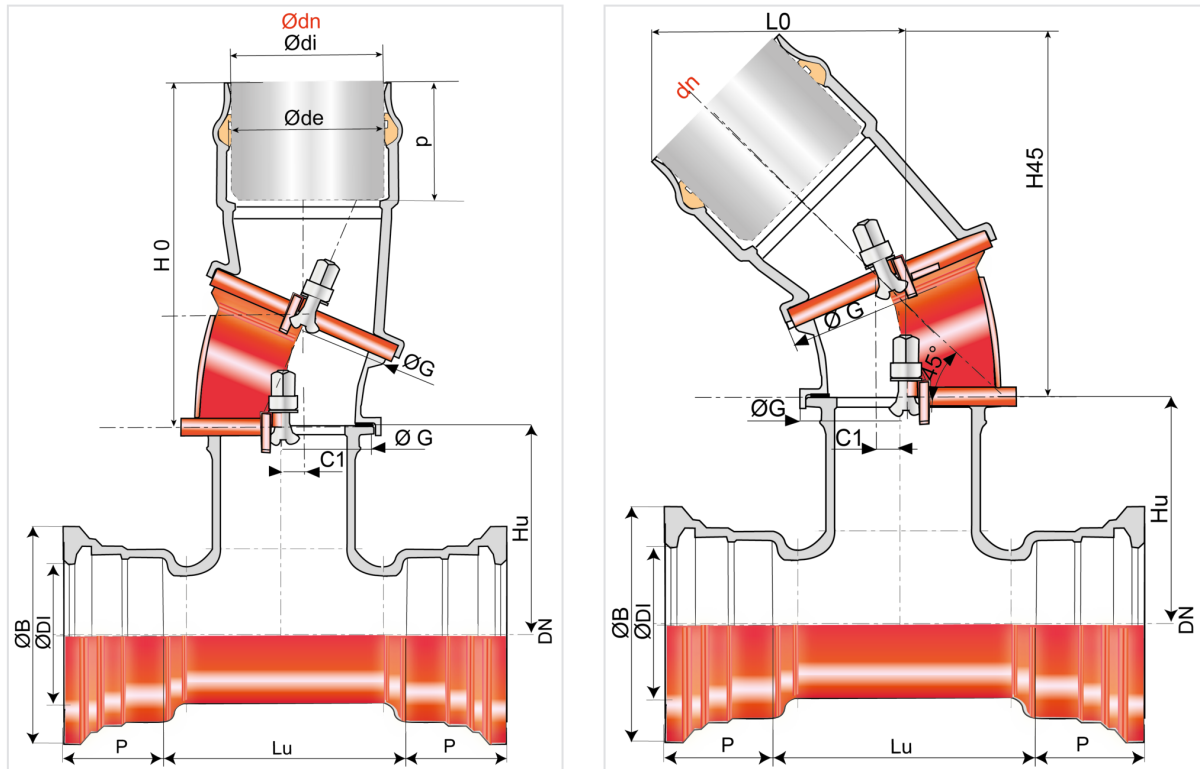


Ductile iron Connection Rotatable Gravity for PVC



For PVC connection.

DN connector	Lu (mm)	Hu (mm)	ØB (mm)	P (mm)	C1 (mm)	ØG (mm)	L0 (mm)	Ødn (mm)	Ødi mini (mm)	Øb (mm)	H0 (mm)	H45 (mm)	p (mm)	Mass (kg)	References
200	357	181	269	106.5	24	256	240	160	162.3	175	354	352	114	38.40	TJB20VR0JS
250	439	206	323	105.5	24	256	240	160	162.3	175	354	352	114	49.50	TJB25VR0JS
300	449	232	380	107.5	24	256	240	160	162.3	175	354	352	114	60.10	TJB30VR0JS

Field of use:

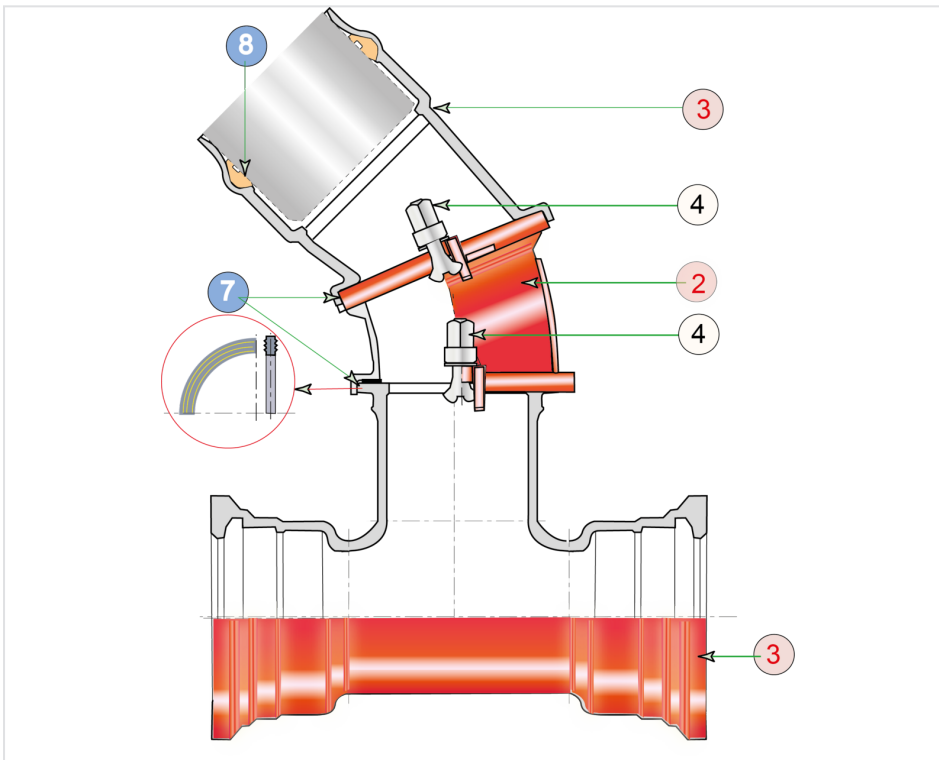
- Separate sewer system
- Application: gravity flow
- Type of effluent: wastewater
- Lastingly leak tight and impermeable
- Laying in all types of soils
- For effluents between pH1 and pH13

Main characteristics:

- External and internal coating: red epoxy powder 250µm (PECR)
- STANDARD G Gasket (STD G) in Nitrile
- PVC Klikso joint: EPDM
- Fittings and joints are supplied in red-brown polyethylene bag
- EN 598 / CE Marking
- Declaration of performances [DoP-BIOGAN002EN](#)
- Designed according to the regulatory texts:
 - NF EN 476: general prescriptions for components used in the networks
 - NF EN 752: Conception of sewage projects
 - NF EN 1610: Reception of the works
 - CCTG: Fascicule 70 (sewage work)



Material and coatings



Item	Designation	Material	Coating	Packing
1	Body	Ductile iron GS	Outside - inside: 250µ Epoxy powder red-brown RAL 3009	Livrés assemblés en sac Polyéthylène opaque brun rouge
2	Bend	Ductile iron GS	Outside - inside: 250µ Epoxy powder red-brown RAL 3009	
3	Branch	Ductile iron GS	Outside - inside: 250µ Epoxy powder red-brown RAL 3009	
4	Bolt D2L	Ductile iron GS	Zinc coated	
6	Joint STD G	Nitrile rubber		
7	Flanged joint	Nitrile rubber		
8	Klikso Joint	EPDM		

Linked products



Standard G Gasket (STD G)
for BIOGAN pipes and
fittings DN150-200

The information on this sketch is, to the best of our knowledge correct at the time of printing. However Saint-Gobain are constantly looking at ways of improving their products and services therefore reserve the right to change without prior notice, any of the data shown. Any orders placed will be subject to our Standard Conditions of Sale, available on request.