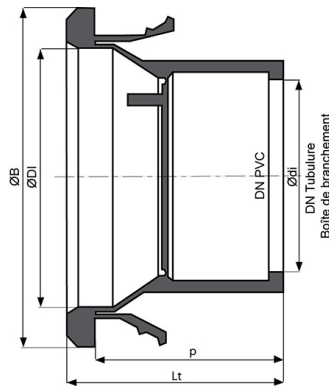


### Reduction Joint for Connection Chamber



DN branch (mm)	Mass (kg)	References
125	0.20	TXB12NBF
200	0.66	TXB20NBJ



DN branch	dn joint	Is fitted in the branch	Accepted range of diameters	$\varnothing$ outside B	$\varnothing$ inside DI	Width Lt	Depth P	$\varnothing$ inside di
mm	mm	mm	mm	mm	mm	mm	mm	mm
125	100	122 - 127	100 - 112	146	112	94	31	78
200	150	195 - 203	158 - 173	223	183	94	31	141

DN branch connection chamber	PVC pipe DN/OD	PVC operating range
mm	mm	mm
125	100	100-112
200	160	158-173

## Field of use:

- Separate sewer system
- Application: gravity flow
- Type of effluent: wastewater
- Lastingly leak tight and impermeable
- Laying in all types of soils
- For effluents between pH1 and pH13
- To connect ductile iron and PVC tubes
- To install in the spigot of SG PAM sewage fittings

## Main characteristics:

- IM seals are in accordance with the requirements of Standard EN 598 (2007)
- Elastomer type WG in accordance with standard EN 681-1
- IM seal NBR
- Supplied in an opaque polyethylene bag
- 2 versions: with or without recesses

*The information on this sketch is, to the best of our knowledge correct at the time of printing. However Saint-Gobain are constantly looking at ways of improving their products and services therefore reserve the right to change without prior notice, any of the data shown. Any orders placed will be subject to our Standard Conditions of Sale, available on request.*