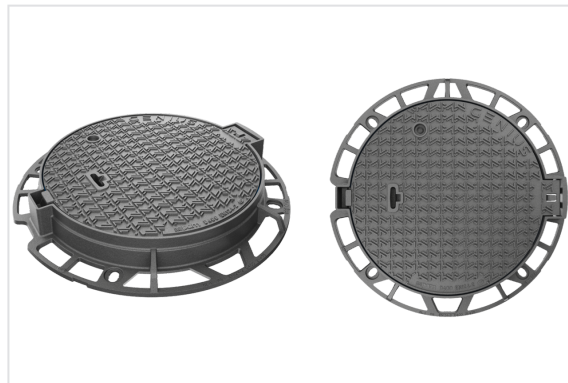
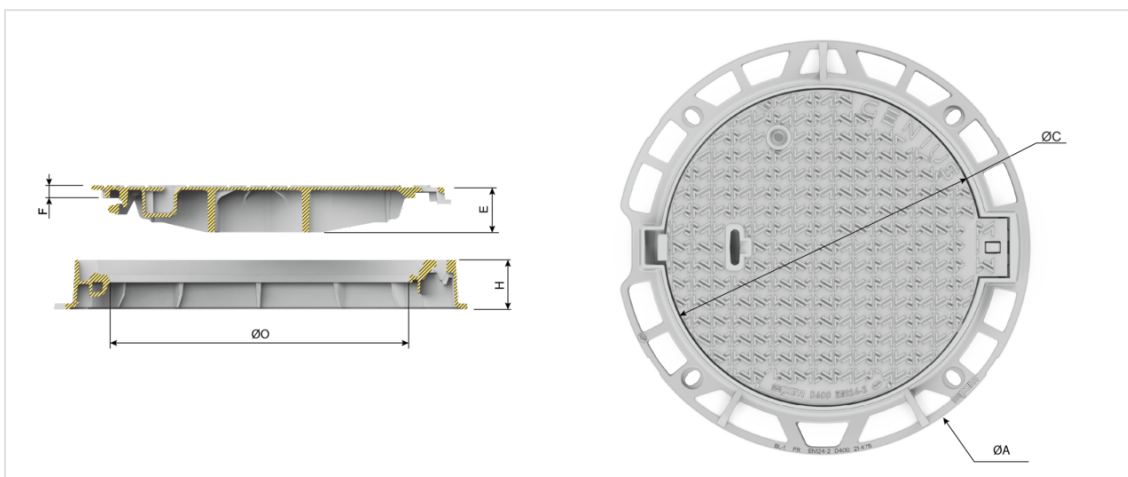


Manhole Cover PAM GENIUS® D400 Ø 600 Round frame



Cover	A (mm)	O (mm)	H (mm)	C (mm)	E (mm)	F (mm)	Total Mass (kg)	Cover mass (kg)	Contact pressure (N/mm ²)	Packaging	Marking	References
Ventilated	845	600	100	643	90	22	55.40	32	3.5	11	Standard	CDGE60BF
Non ventilated	845	600	100	643	90	22	53.50	32	3.5	11	Standard	CDGE60AF



Origine France Garantie

- This product is made in France in our foundry in Blénod-les-Pont-A-Mousson (54), and is certified Origine France Garantie. This guarantees consumers that the product is made in France in accordance with specifications available on originefrancegarantie.fr. The certification number is: BVCert 6026906.
- *"Origine France Garantie certification is awarded by an independent certification body. Checks are then carried out every year to ensure that the product is indeed 100% made in France and that at least 50% of the product's manufacturing costs (including raw materials) are of French origin".»*

Material and coating:

- Frame and cover in Ductile Iron EN GJS 400-15: water base coating
- Ring in [EVA](#)

Field of application:

- Group 4 (class D 400) in accordance with EN124-2 standard, carriageways of roads (including pedestrian streets), hard shoulders and parking areas, for all types of road vehicles.
- Moderate traffic and periodic inspection

Main characteristics:

- Easy opening with conventional tools
- Lifting hooks
- Anti-dirt hinge ensuring reliable opening and closing
- Hinged cover, opens to 110 °, blocks at 90° when closing
- [Automatic locking by ductile iron spring bar](#)
- Frame fitted for the Install Plus sealing solution
- Hooking system in the frame to facilitate tool installation
- Anti-intrusion system (SCS or Penta)

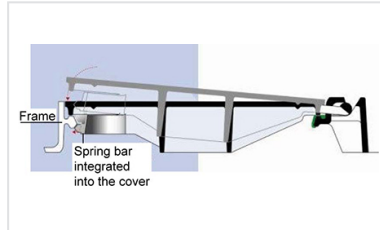
Security:

- PENTA Locking kit (reference [C10](#) - [C54](#))
- PENTA locking key: (reference C17)
- SCS locking kit: [C101](#), [C12](#)
- SCS locking key: C18

Linked products



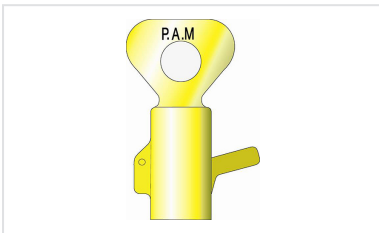
EVA ring



Manhole covers - Locking of the cover by spring bar



Handling key PENTA



Handling key SCS

The information on this sketch is, to the best of our knowledge correct at the time of printing. However Saint-Gobain are constantly looking at ways of improving their products and services therefore reserve the right to change without prior notice, any of the data shown. Any orders placed will be subject to our Standard Conditions of Sale, available on request.