



**RELIABILITY – PERFORMANCE –  
PRATICALLY:**

- Automatic flange adaptor
- DN40 - 200
- PFA 16 bars
- PN10 or PN16 – EN 1092-2
- Angular deviation  $\pm 3^\circ$

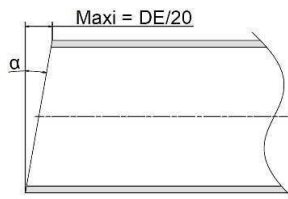
**FIELD OF APPLICATION:**

- Drinking water
- Irrigation
- Fire safety
- Water treatment plant

Type of Adaptor	Compatibility with PFA 16		
	PVC-U	PVC-BO*	PEHD**
Locked	✔	✔	✔

\* Depending on the manufacturer: please contact us  
 \*\* PFA16 till DN150.  
 PFA10 for DN200. For PE, DN200 and PFA >10 bars. Add an insert (Table below)

**PREPARING FOR INSTALLATION**

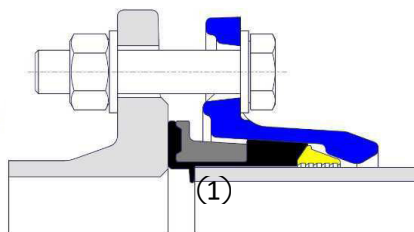


Make a straight, perpendicular cut and deburr. Make sure there are no debris.

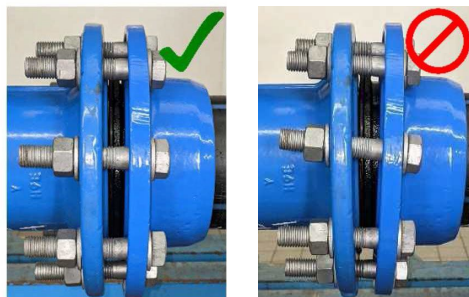
Do not chamfer.

For installation on 200 and 225 HDPE pipes, use a reinforcement ring before installation (see table below)

**ASSEMBLY**



Insert the adaptor without disassembling it until it stops (1) press down on the joint. Once the adaptor is in place, remove the pre-cut cardboard. (2)

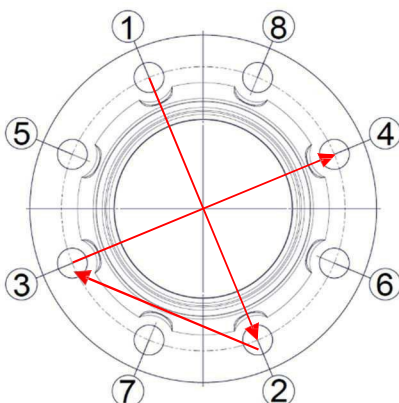


Install and tighten the fasteners according to the instructions (see reverse side). Ensure that the flanges are parallel.

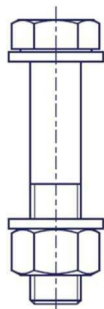
Reinforcement ring for 200 and 225mm HDPE pipe	
Reinforcement ring for HDPE pipe OD 200, SDR 17, PFA10	MBM20QGBZ
Reinforcement ring for HDPE pipe OD 200, SDR 11, PFA16	MBM20QHAZ
Reinforcement ring for HDPE pipe OD 225, SDR 17, PFA10	MBM22QGBZ
Reinforcement ring for HDPE pipe OD 225, SDR 11, PFA16	MBM22QHAZ

**RECOMMENDATIONS**

**Bolt tightening sequence**



**Steel bolts Class 6.8 mini**

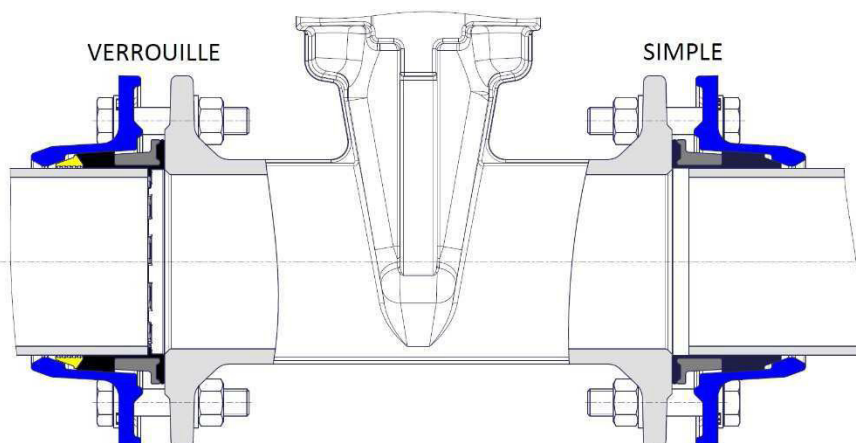


**Tightening torque for bolts**

OD/DE	PN	Ø bolts	Torque (N.m)
40 to 125	10 - 16	M16	60
140	10 - 16	M16	100
160 to 225	10 - 16	M20	100

- Tighten the screws according to the recommendations provided
- To maintain the product's integrity, it is recommended that you install the fasteners with washers

**ASSEMBLING A PART BETWEEN TWO ADAPTORS**

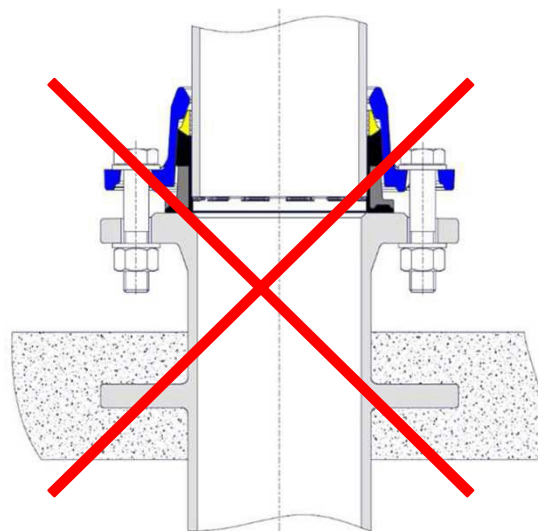
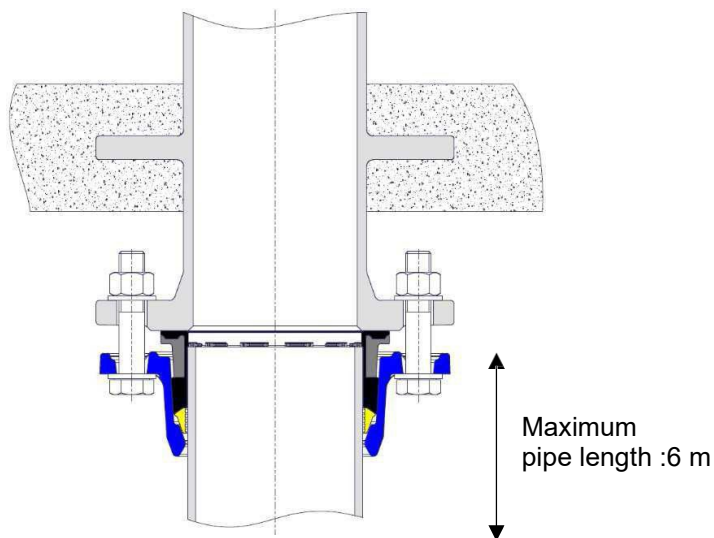


- 1/ First, tighten the locked adaptor.
- 2/ Then, tighten the simple adaptor

When using a shut-off valve, the Quick should preferably be installed in the upstream position relative to the equipment

**VERTICAL ASSEMBLY (LOCKED PVC-PE ADAPTOR)**

The vertical installation is only possible if a pipe support is anchored above the pipe



SG PAM Canalisation assumes no liability in the event of improper use or use contrary to the instructions.

The risk assessment of installation conditions and their management are the responsibility of the company in charge