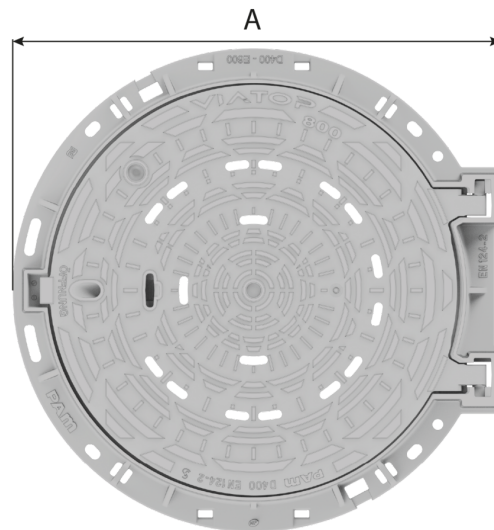
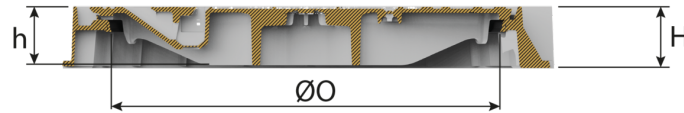
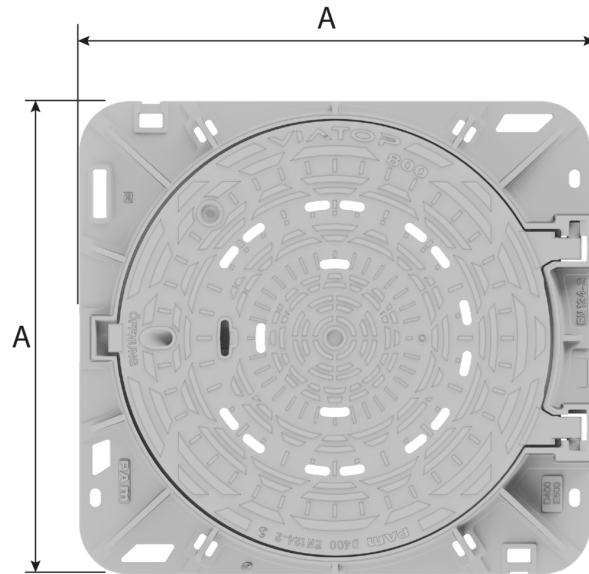
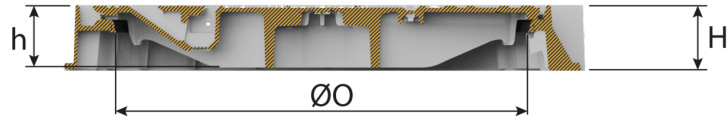


## Manhole cover VIATOP 800 Safety D400 Class NF



Cover	Version	Frame	AxA (mm)	O (mm)	H (mm)	h (mm)	Total Mass (kg)	Cover mass (kg)	Packaging	References
Non ventilated		Square	1000x1000	800	125	115	127.50	70	5	CDVM80KF
Non ventilated	gas arm assist lift	Square	1000x1000	800	125	115	129.50	70	5	CDVM80KFX37
Ventilated		Square	1000x1000	800	125	115	127.50	70	5	CDVM80PF
Ventilated	gas arm assist lift	Square	1000x1000	800	125	115	129.50	70	5	CDVM80PFX37

Cover	Version	Frame	A (mm)	O (mm)	H (mm)	h (mm)	Total Mass (kg)	Cover mass (kg)	Packaging	References
Non ventilated		Round	1000	800	125	115	117.00	70	5	CDVM80AF
Non ventilated	gas arm assist lift	Round	1000	800	125	115	119.00	70	5	CDVM80AFX37
Ventilated		Round	1000	800	125	115	117.00	70	5	CDVM80BF
Ventilated	gas arm assist lift	Round	1000	800	125	115	119.00	70	5	CDVM80BFX37



## Material and coating:

- Frame in Ductile Iron EN GJS 400-15: bituminous coating
- Cover in Ductile Iron EN GJS 400-15: water base coating
- Assistance gas arm with ceramised rod and epoxy barrel
- [Ring in elastomer](#)

## Field of application:

- D400 class (Group 4) according to standard EN124-2, carriageways of roads, hard shoulders and parking areas for all types of road vehicles.
- Heavy traffic zones and frequent visits.

## Main characteristics:

- [Hinged cover and ergonomic handling box](#), allowing ergonomic opening by crowbar or [C24 operating tool](#)
- Frame fitted for optimized bedding
- Opens to 120°, blocks at 90° when closing
- Frame compatible with the INSTALL PLUS anchoring solution
- Customization available (Network identification and/or logo/text)

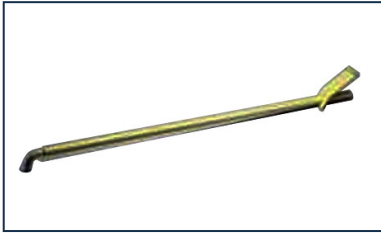
## Security



- Optional ¼-turn lock for operator safety, operable from the inside
- Double-hinged manhole provides superior stability for large covers and is compatible with assisted lifting spring arm systems, significantly reducing operators opening effort.
- Frame and cover designer to allows safe and ergonomic upgrading with an assisted lifting gas arm after installation, thanks to a dedicated [retrofit kit C126](#).

[Assembling instructions C126](#): Gas arm assistance kit VIATOP 800

## Accessories



Accessories for Manhole Covers: operating key C24 for PAMREX, VIATOP and VIATOP 2 Manhole covers

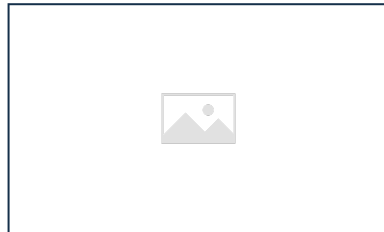


PAMREX / VIATOP manhole covers

## Linked products



Elastomer Ring



Identification of PAMREX manhole covers versions

*The information on this sketch is, to the best of our knowledge correct at the time of printing. However Saint-Gobain are constantly looking at ways of improving their products and services therefore reserve the right to change without prior notice, any of the data shown. Any orders placed will be subject to our Standard Conditions of Sale, available on request.*