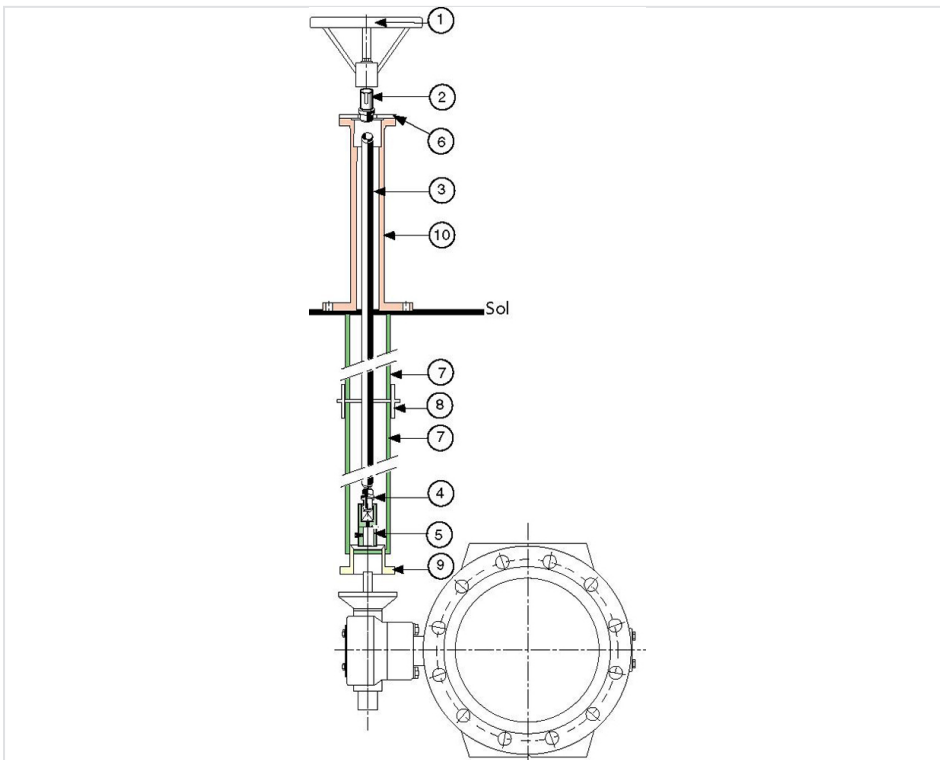


Butterfly valves buried - Operating with handwheel

Mounting on headstock without indicator - Extension tube 3 to 6 m 33/42 (Ø20) or 50/60 (Ø30)

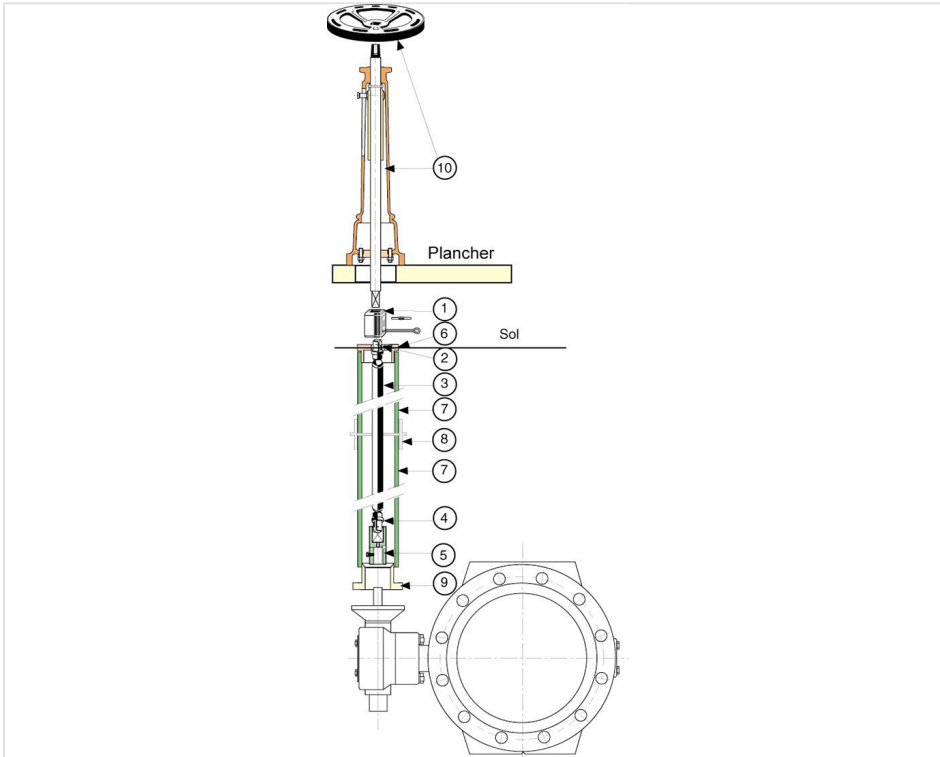


Item	Description		References
	Handwheel (*)	Depending on valve DN	See data sheet VIGBVXXVAC675
2	Adaptor to be welded (cylindrical keyed)	Ø20	162165
		Ø30	162166
3	Extension tube length 3 m	Ø20 (33/42)	162088
		Ø30 (50/60)	162229
	Extension tube length 4,5 m	Ø20 (33/42)	162231
		Ø30 (50/60)	162232
	Extension tube length 6 m	Ø20 (33/42)	162090
		Ø30 (50/60)	162140
4	Adaptor to be welded (square 28)	Ø20 (33/42)	162077

Item	Description		References
		Ø30 (50/60)	163358
5	Operating coupling keyed Ø20 or Ø30	Depending on valve DN	See data sheet VIGBVXXVAC600
6	Plate protection with fixed bolts for headstock	Ø20 (F10)	162295
		Ø30 (F14)	184276
7	Protection tube - For L=3m	DI lg 1,5m	2 pièces RAC15AB
		PVC lg 1,1m	3 pièces RAC11AD
	Protection tube - For L=4,5m	DI lg 1,5m	3 pièces RAC15AB
		PVC lg 1,1m	4 pièces RAC11AD
	Protection tube - For L=6m	DI lg 1,5m	4 pièces RAC15AB
		PVC lg 1,1m	5 pièces RAC11AD
8	Intermediate support - For L=3m	DI	1 pièce RAA80DB
		PVC	2 pièces RAA80ED
	Intermediate support - For L=4,5m	DI	2 pièces RAA80DB
		PVC	3 pièces RAA80ED
	Intermediate support - For L=6m	DI	3 pièces RAA80DB
		PVC	4 pièces RAA80ED
9	Support protection tube (ductile iron or PVC)	Ø20 (F10)	162030
		Ø30 (F14)	162029
10	Headstock without indicator	Ø20 (F10)	162156
		Ø30 (F14)	162157

(*) on request: actuator instead of handwheel

Mounting on headstock with indicator - Extension tube 1,5 to 6 m 33/42 (Ø20) or 50/60 (Ø30)



Item	Description	References	
1	Operating coupling square 28x28		RAA28GP (*)
2	Adaptor to be welded (square 28)	Ø20 (33/42)	162077
		Ø30 (50/60)	163358
3	Extension tube length 1,5 m	Ø20 (33/42)	162193
		Ø30 (50/60)	162194
	Extension tube length 3 m	Ø20 (33/42)	162088
		Ø30 (50/60)	162229
	Extension tube length 4,5 m	Ø20 (33/42)	162231
		Ø30 (50/60)	162232
	Extension tube length 6 m	Ø20 (33/42)	162090
		Ø30 (50/60)	162140
4	Adaptor to be welded (square 28)	Ø20 (33/42)	162077
		Ø30 (50/60)	163358
5	Operating coupling keyed Ø20 or Ø30	Selon DN vanne	See data sheet VIGBVXXVAC600

Item	Description		References
6	Spindle guide cover for protection tube	DI	162032
7	Protection tube - For L=1,5m	DI lg 1,5m	1 piece RAC15AB
		PVC lg 1,1m	2 pieces RAC11AD
	Protection tube - For L=3m	DI lg 1,5m	2 pieces RAC15AB
		PVC lg 1,1m	3 pieces RAC11AD
	Protection tube - For L=4,5m	DI lg 1,5m	3 pieces RAC15AB
		PVC lg 1,1m	4 pieces RAC11AD
	Protection tube - For L=6,5m	DI lg 1,5m	4 pieces RAC15AB
		PVC lg 1,1m	5 pieces RAC11AD
8	Intermediate support - For L=1,5m	DI	0 piece RAA80DB
		PVC	1 piece RAA80ED
	Intermediate support - For L=3m	DI	1 piece RAA80DB
		PVC	2 pieces RAA80ED
	Intermediate support - For L=4,5m	DI	2 pieces RAA80DB
		PVC	3 pieces RAA80ED
	Intermediate support - For L=6m	DI	3 pieces RAA80DB
		PVC	4 pieces RAA80ED
9	Support protection tube (ductile iron or PVC)	Ø20 (F10)	162030
		Ø30 (F14)	162029
10	Headstock with indicator delivered with handwheel	Ø20 (F10)	See data sheet
		Ø30 (F14)	VIGBVXXVAC725

The information on this sketch is, to the best of our knowledge correct at the time of printing. However Saint-Gobain are constantly looking at ways of improving their products and services therefore reserve the right to change without prior notice, any of the data shown. Any orders placed will be subject to our Standard Conditions of Sale, available on request.