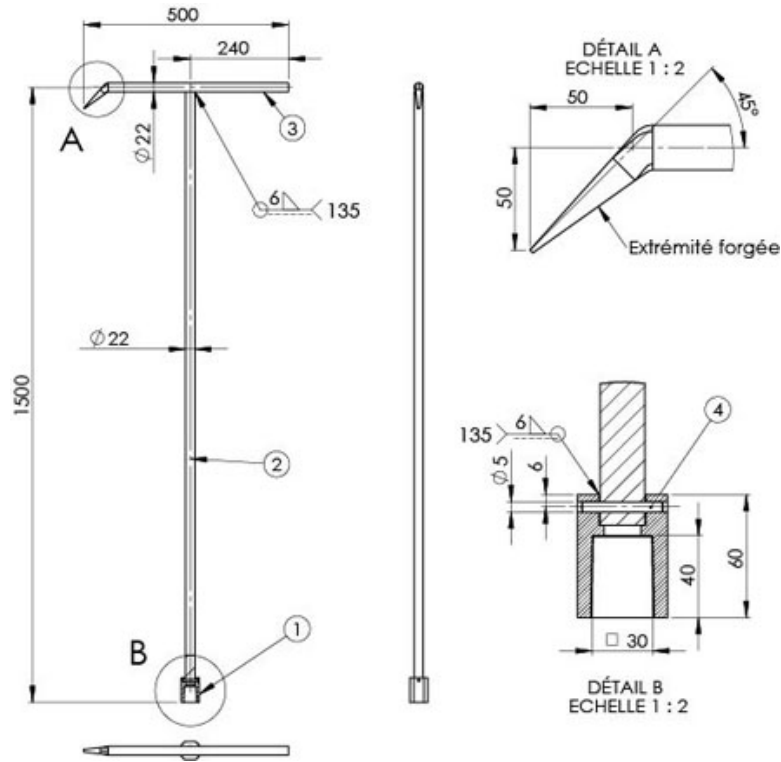


## T-Handling Key L=1.5M square 30 for EURO 20



Square	Mass	References
30 mm	6.00 kg	215205

Item	Quantity	Designation
1	1	Square head 30 for T-Handling Key
2	1	Round Ø22 length 1444 for T-Handling Key
3	1	Operating Ø22 for T-Handling Key length 500 tip 45°
4	1	Stainless steel cylindric splined pin ISO 8740 Ø5 length 40

*The information on this sketch is, to the best of our knowledge correct at the time of printing. However Saint-Gobain are constantly looking at ways of improving their products and services therefore reserve the right to change without prior notice, any of the data shown. Any orders placed will be subject to our Standard Conditions of Sale, available on request.*