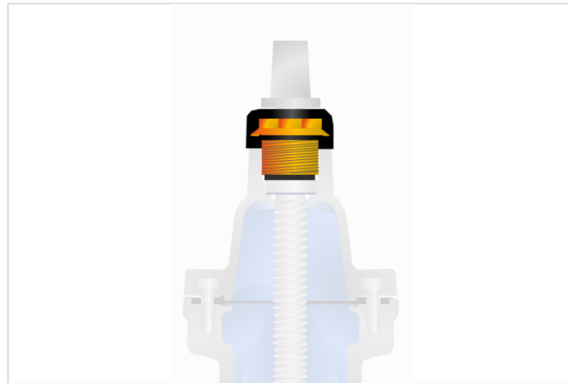


Laying instructions - Spare Parts for EURO20 New - Stem Bearing Replacement



DN	Mass (kg)	References
40-50	0.50	283063
60-65-80	0.60	283065
100	0.50	283067
125-150	0.50	283068
200	1.10	283070
250	1.40	283071
300	2.00	283072

Components



1 x dust seal



1 x stem bearing



1 x upper thrust washer

Installation steps

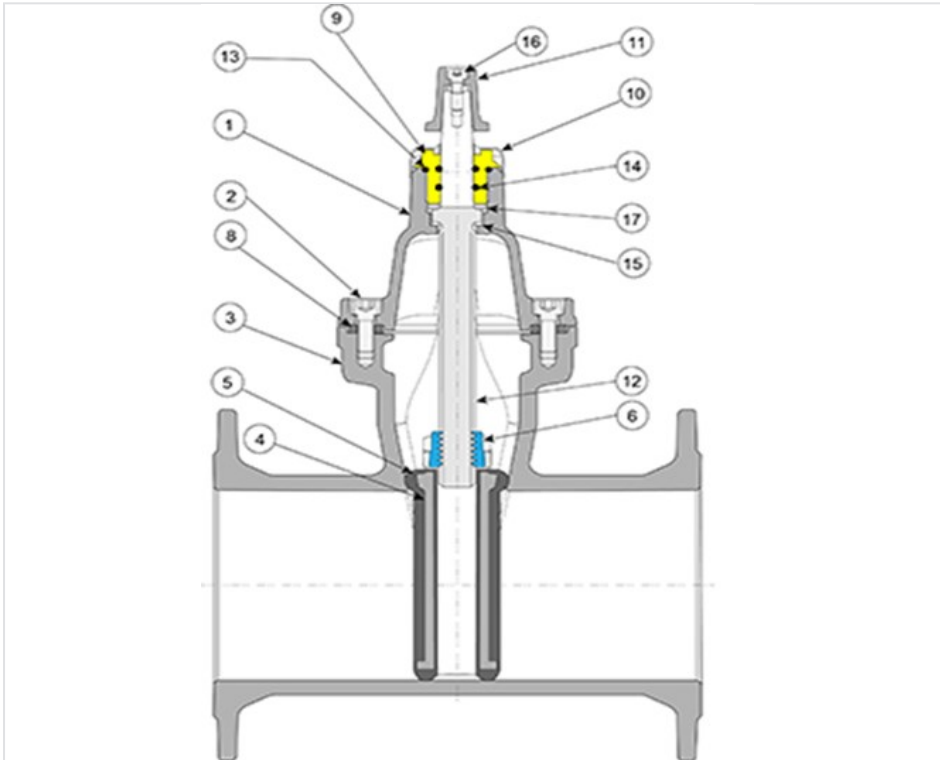
1. Fully open the valve (according to the opening direction of the model)
 - Important : ensure beforehand the closing direction of the valve (depending on model)
2. Remove the operating device (square collar or handwheel)
3. Remove the stem bearing and take out the thrust washer from the bottom of the housing
4. Place the new thrust washer and tighten the new stem bearing to the recommended torque for the model (see table below)
5. Place the new dust seal and refit the operating device

DN	40-200	250	300
Stem bearing tightening torque	200 to 250 Nm	300 Nm	350 Nm



See the video

Material



Item	Designation
1	Bonnet
2	Screw
3	Body
4	Gate
6	Operating nut
8	Body-bonnet gasket
9	Stem bearing
10	Dust seal
11	Cap
12	Operating screx
15	Lower thrust washer
16	Cap screw
17	Upper thrust washer

The information on this sketch is, to the best of our knowledge correct at the time of printing. However Saint-Gobain are constantly looking at ways of improving their products and services therefore reserve the right to change without prior notice, any of the data shown. Any orders placed will be subject to our Standard Conditions of Sale, available on request.