

EURO 20 Type 24 for PVC pipes



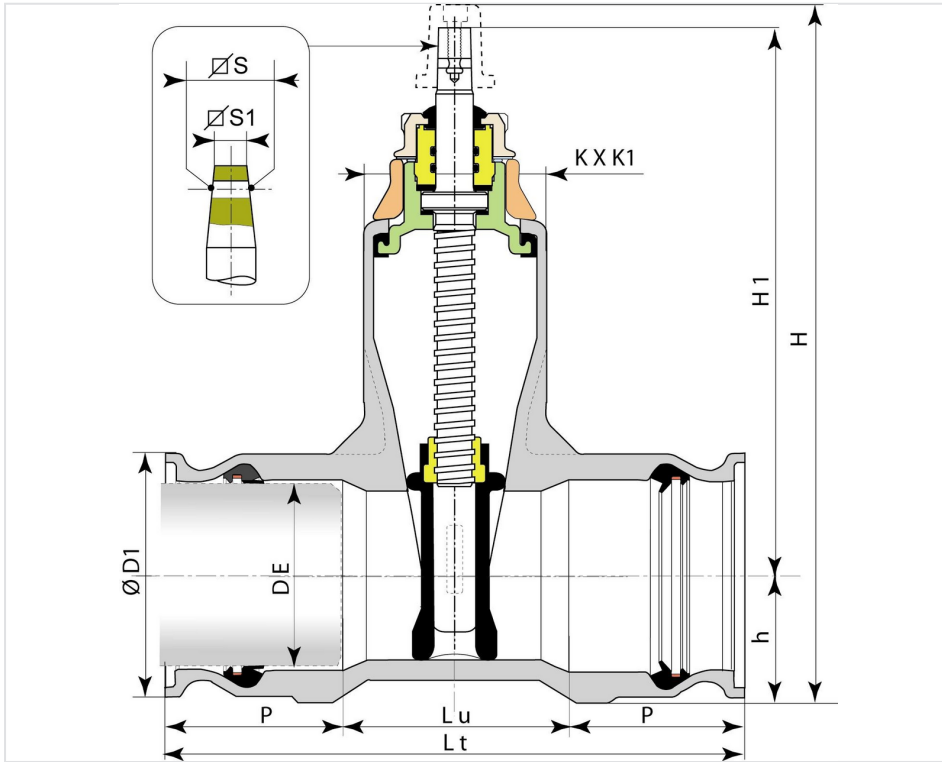
The Euro 20 gate valves are equipped with gates fully rubber encapsulated from DN40 to 400 and must be used only in full opening or closing position up to a pressure of 25 bar. They are designed for use on water supply and distribution mains, irrigation systems, fire fighting system and general systems in industrial sites. They can cut the water flow in a pipe and therefore facilitate the network maintenance.

Main characteristics are:

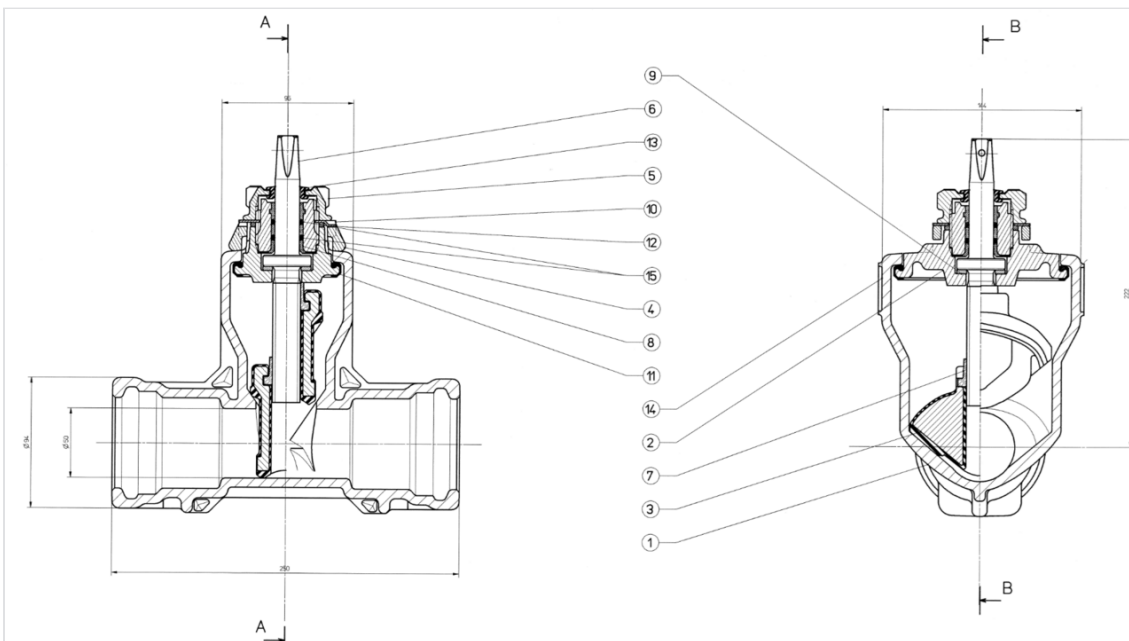
- Compliance with ISO & NF standards (DN40-300), in particular, possibility to replace the bush seals under full working pressure, valve totally opened ;
- Coating and materials neutrality concerning drinking water ;
- Full bore to nominal diameter (except DN350) ;
- Corrosion resistance secured by the material and epoxy coating choice ;
- No current maintenance needed ;
- The operating torque is much lower than required by the standards ;
- Easy to maintain.

DN (mm)	DE (mm)	Lt (mm)	Lu (mm)	P (mm)	D1 (mm)	H1 (mm)	H (mm)	KxK1 (mm)	SxS (mm)	S1xS1 (mm)	Closing direction	Version	Number of turns	Mass (kg)	References
50	63	250	110	70	94	222	272	95 x 144	15.2	14.3	Anti-Clockwise	Cap	12,5	7.45	REL63CDCH
50	63	250	110	70	94	222	272	95 x 144	15.2	14.3	Clockwise	Bare shaft	12,5	7.45	REL63CBXH

(*) two joints included



Material and coating



Item	Designation	Material	Coating
1	Body	Ductile Iron GS EN GJS 400-15 or 500-7	Blue Epoxy mini 250 microns
2	Bonnet	Ductile Iron GS EN GJS 400-15 or 500-7	Blue Epoxy mini 250 microns
3	Gate	Ductile iron acc. EN1563 and EN681-1	EPDM on ductile iron and polyamide brackets
4	Yoke	Ductile iron GS	EVA (Ethylene Vinyl Acetate) 250 microns mini
5	Stem bearing nut	Ductile Iron GS EN GJS 400-15 or 500-7	EVA (Ethylene Vinyl Acetate) 250 microns mini
6	Screw	Stainless steel type X20Cr13 per EN10088-3	
7	Operating nut	Brass type CuZn39Pb2 or CuZn40Pb2 per EN12164	
8	Bush	Brass type CuZn39Pb2 or CuZn40Pb2 per EN12164	
9	Seal joint	Polyamide type PA 6-6	
10	Lock washer	Stainless steel type Z6 CN18.8	
11	Bonnet-body gasket	EPDM Elastomer acc. to EN681-1	
12	Bonnet-yoke gasket	Nitrile	
13	Dust seal	Chloroprene	
14	Label (reference, manufacturing date, etc...)	-	
15	Stem seal	Nitrile Elastomer NBR WRC 70	
	Thrust washer	Polyamide type PA 6-6	

Compliance with Standards



Product :

- EN 1074-2

Tests in factory :

- EN 12266-1

Face to face dimensions:

- EN 558-2 ISO 5752 serie 15 for type 21
- EN 558-2 ISO 5752 serie 14 for type 23

Flange drilling:

- EN 1092-2
- ISO 7005-2
- DIN 2501

The materials of the components and the epoxy coating satisfy the French and European standards in matter of potable water.

Marking

The marking of valves manufactured by SAINT-GOBAIN complies with international standards EN 1074-2 and EN19.

Markings are either cast markings, or markings on plates firmly attached on the valve body, or printed markings, in accordance with the specifications of standard EN19.

EN19 Specifications			Process Saint-Gobain (valves)
Table 1 - Markings		Standards	
1	DN	EN 19 § 4.2.1 Mandatory indications Casting or on a plate	Casting
2	PN		Casting
3	Material		Casting
4	Name or brand of the manufacturer		Plate
11	Standard	EN 19 § 4.3 Additional markings Items 7 to 21 in Table 1 are optional	Casting
12	Identification of ductile iron		Casting
16	Quality test		Printed on the body
18	Manufacturing date		Plate
21	Closing direction		Plate + sticker on the body

Installation

The gate-valves EURO 20 can be installed as follows:

- On surface
- Buried:
 - under direct backfill (with ground correctly compacted) and placed under surface boxes
 - located in chambers under valve boxes.

The gate-valves can have four positions:

- on horizontal pipe main:
 - standing (each time it is possible)
 - overturned (to avoid for sizes superior to 300)
 - laid down.
- on vertical pipe main:
 - in a horizontal position.

The gate-valve EURO 20 exists under several types, the most common is the EURO 21 with flanges long pattern.

For this type of valve, it's better to use:

- Ultra QUICK, for alying on all type of material
- QUICK GS anchored or not for laying on ductile iron pipes
- QUICK PVC anchored or not for laying on PVC pipes
- Quick PE fus
- and a dismantling joint (PO, PA) to facilitate the laying of the device.

Maintenance

The gate-valves EURO 20 need no particular maintenance.

The replacing of tightness joint of the operating screw support can be made, the valve under pressure, by loosening the operating bolt when the position is fully open.

The information on this sketch is, to the best of our knowledge correct at the time of printing. However Saint-Gobain are constantly looking at ways of improving their products and services therefore reserve the right to change without prior notice, any of the data shown. Any orders placed will be subject to our Standard Conditions of Sale, available on request.