

## Laying instructions - Spare Parts for EURO20 New - Operating Screw Replacement



DN (mm)	Closing direction Anti-Clockwise		Closing direction Clockwise	
	Mass (kg)	References	Mass (kg)	References
40-50	0.70	283091	0.70	283077
60-65	1.00	283093	1.00	283079
80	1.00	283094	1.00	283080
100	1.20	283095	1.20	283081
125	1.50	283096	1.50	283082
150	1.60	283097	1.60	283083
200	2.60	283098	2.60	283084
250	3.70	283099	3.80	283085
300	1.00	283100	4.80	283086

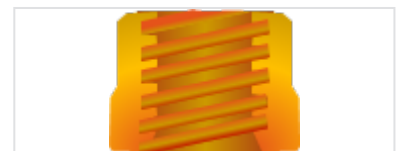
### Components



1 x operating screw

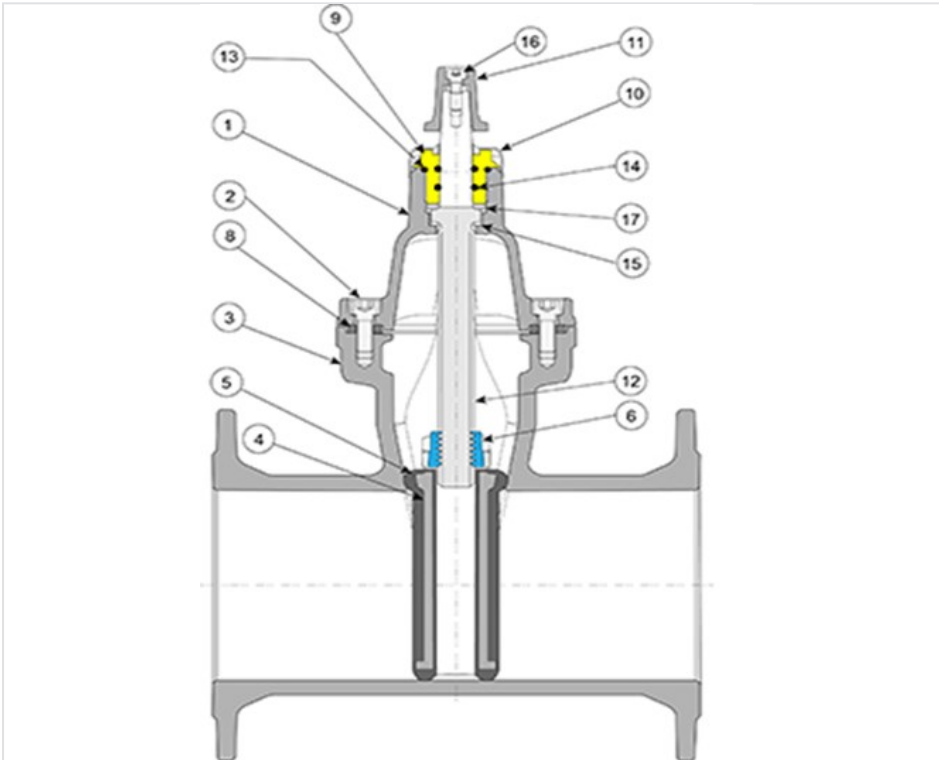


1 x lower thrust washer



1 x operating nut

## Installation steps



Before proceeding, ensure the installation is no longer under pressure and has been drained.

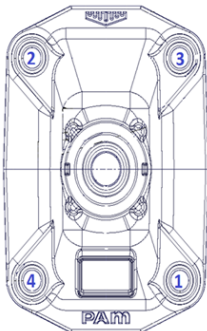
1. Remove the operating accessory [11] [16]
2. Remove the dust seal [10] and fully unscrew the stem bearing [9]
3. Remove the protective wax from the body/cap connecting screws [2]
4. Unscrew the connecting screws [2]
5. Unscrew the wedge to separate it from the screw and remove the screw from the cap
6. Remove the stem bearing from the old screw
7. Remove the operating nut from the wedge and fit the new one
8. Replace the wedge assembly in the valve body
9. Reposition the cap and engage the body/cap fixing screws
10. Place the lower thrust washer [15] at the bottom of the stem bearing housing
11. Get back the upper thrust washer [17] and position it in the stem bearing housing
12. Get back the upper thrust washer [17] and position it in the stem bearing housing
13. Tighten the new screws, following the recommended torque values and tightening sequence for the model (see reverse page)
14. Tighten the stem bearing to the recommended torque (see reverse page)
15. Finally reposition the dust seal and the operating accessory



See the video

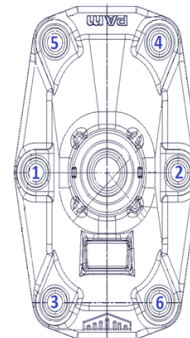
### Tightening of the body/bonnet bolts

Chapeau du DN 40 au DN 125



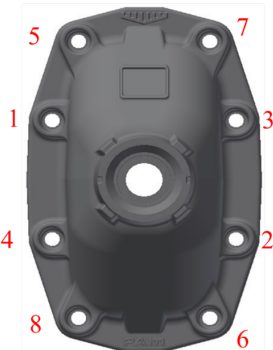
Bonnet DN40 to DN125

Chapeau DN 150



Bonnet DN150

Chapeaux DN 200 - 250 - 300



Bonnet DN200-250-300

## EURO20 New DN40 to 400 - Tightening torque

DN	Versions	Nbre de vis	Vis liaison chapeau Dimensions	Screws CHc (Nm)**					
				C1 Screw 1-2	C2 Screw 3-4	C3 Screw 5-6	C4 Screw 7-8	C5 Screw 9-10	C6 Screw 11-12
40	E20 New S15 & S15	4	CHc M8x25	30	30				
50	E20 New S15 & S15	4	CHc M8x25	30	30				
60/65	E20 New S15 & S15	4	CHc M10x25	55	45				
80	E20 New S15 & S15	4	CHc M10x25	55	45				
100	E20 New S15 & S15	4	CHc M12x30	75	65				
125	E20 New S15 & S15	4	CHc M12x30	75	65				
150	E20 New S15 & S15	6	CHc M12x30	75	75	55			
200	E20 New S15 & S15	8	CHc M12x35***	145-150	105-110	70-80	70-80		
250	E20 New S15 & S15	8	CHc M14x40***	165-170	125-130	90-95	90-95		
300	E20 New S15 & S15	8	CHc M16x40***	175-180	165-170	155-160	155-160		

## Stem bearing tightening torque

DN	40-200	250	300
Stem bearing tightening torque	200 to 250 Nm	300 Nm	350 Nm

*The information on this sketch is, to the best of our knowledge correct at the time of printing. However Saint-Gobain are constantly looking at ways of improving their products and services therefore reserve the right to change without prior notice, any of the data shown. Any orders placed will be subject to our Standard Conditions of Sale, available on request.*