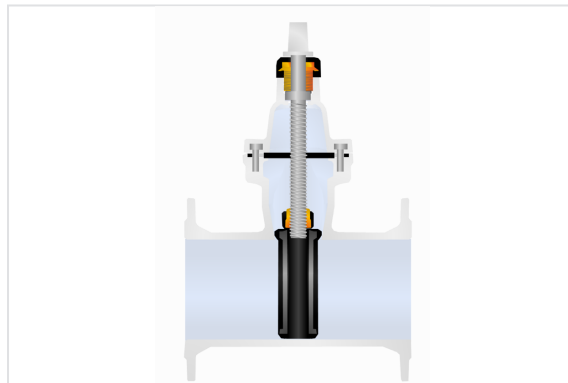


Laying instructions - Spare Parts for EURO20 New - Replacement of all wear parts



DN (mm)	Closing direction Anti-Clockwise		Closing direction Clockwise	
	Mass (kg)	References	Mass (kg)	References
40-50	1.70	283132	1.70	283122
60-65	2.40	283134	2.40	283124
80	2.60	283135	2.60	283125
100	3.30	283136	3.30	283126
125	4.70	283137	4.70	283127
150	5.50	283138	5.50	283128
200	12.10	283139	12.10	283129
250	18.00	283140	18.00	283130
300	30.80	283141	30.80	283131

Components



1 x dust seal



1 x stem bearing



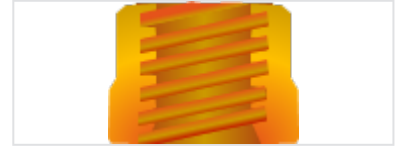
1 x upper thrust washer



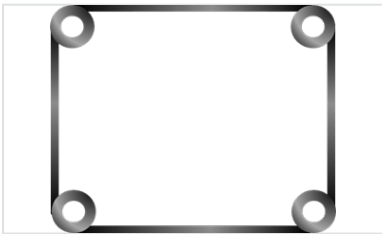
1 x operating screw



1 x lower thrust washer



1 x operating nut



1 x body/bonnet gasket



1 x gate

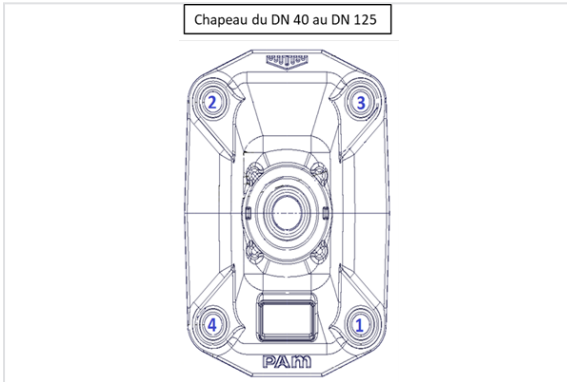


body/bonnet fixing screws (quantity...
depending on model)

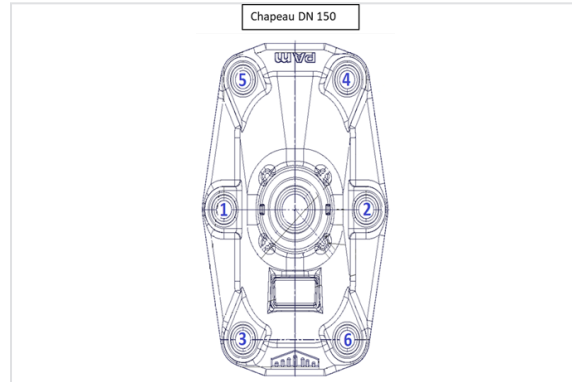


See the video

Tightening of the body/bonnet bolts



Bonnet DN40 to DN125



Bonnet DN150



Bonnet DN200-250-300

EURO20 New DN40 to 400 - Tightening torque

DN	Versions	Nbre de vis	Vis liaison chapeau Dimensions	Screws CHc (Nm)**					
				C1 Screw 1-2	C2 Screw 3-4	C3 Screw 5-6	C4 Screw 7-8	C5 Screw 9-10	C6 Screw 11-12
40	E20 New S15 & S15	4	CHc M8x25	30	30				
50	E20 New S15 & S15	4	CHc M8x25	30	30				
60/65	E20 New S15 & S15	4	CHc M10x25	55	45				
80	E20 New S15 & S15	4	CHc M10x25	55	45				
100	E20 New S15 & S15	4	CHc M12x30	75	65				
125	E20 New S15 & S15	4	CHc M12x30	75	65				
150	E20 New S15 & S15	6	CHc M12x30	75	75	55			
200	E20 New S15 & S15	8	CHc M12x35***	145-150	105-110	70-80	70-80		
250	E20 New S15 & S15	8	CHc M14x40***	165-170	125-130	90-95	90-95		
300	E20 New S15 & S15	8	CHc M16x40***	175-180	165-170	155-160	155-160		

The information on this sketch is, to the best of our knowledge correct at the time of printing. However Saint-Gobain are constantly looking at ways of improving their products and services therefore reserve the right to change without prior notice, any of the data shown. Any orders placed will be subject to our Standard Conditions of Sale, available on request.