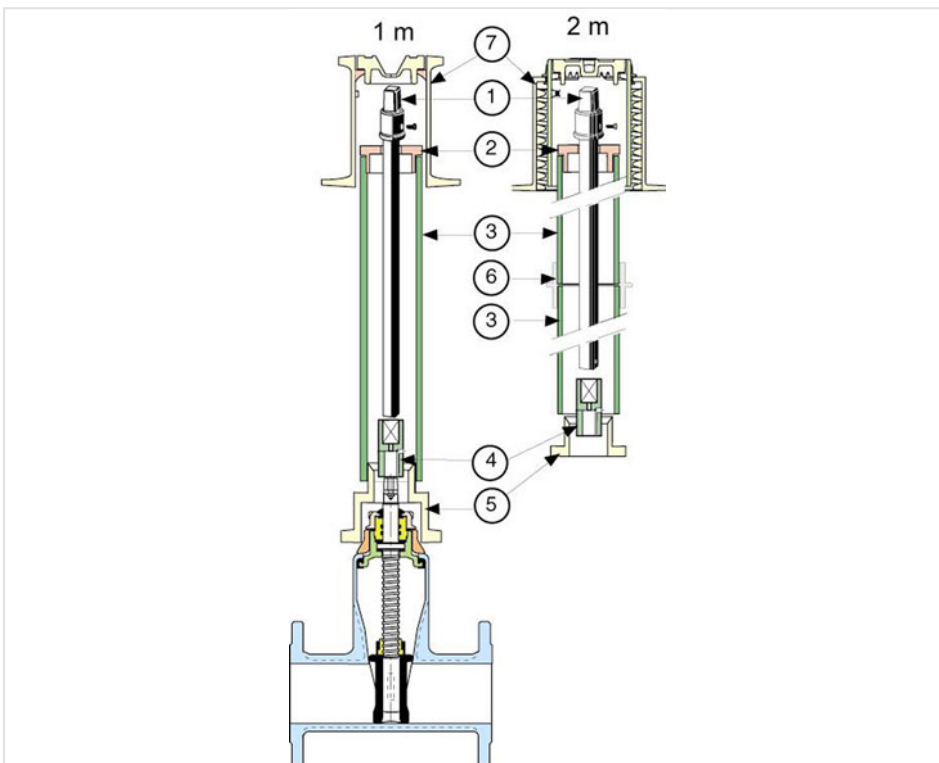


EURO 20 - buried - Operating with T key Mounting under Surface box

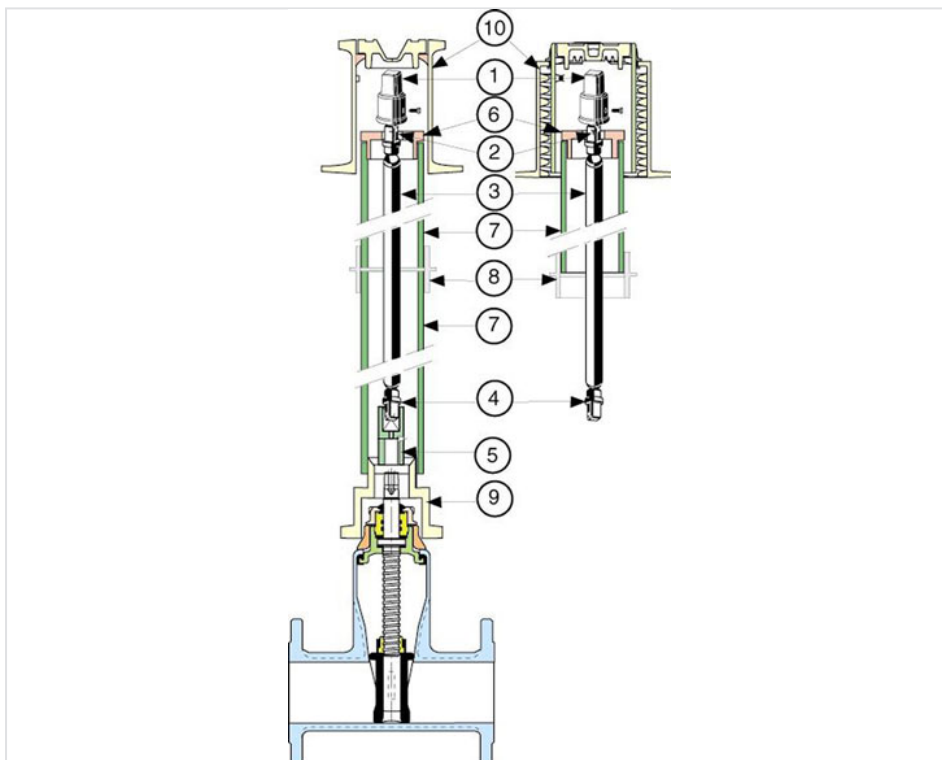
Mounting under Surface box - extension Spindle 1 and 2 m (square 28X28)



Item	Désignation	Référence
1	Extension spindle with operating cap - Height 1 m	RAA28F1
	Extension spindle with operating cap - Height 2 m	RAA28F2
2	Spindle guide cover for protection tube (iron)	162032
	Spindle guide cover for protection tube (PVC)	162033
3	Protection tube (For spindle h= 1 m : 1 tube - For spindle h= 2 m : 2 tubes): - iron lg 1m - PVC lg 1,1m - PVC lg 0,6m - PVC lg 0,9m	RAC10AB
		RAC11AD
		RAB60AD
		RAB90AD
4	Operating coupling according to Valve DN	
5	Support for protection tube - For ductile iron (DN40-80)	RAA80BB

Item	Désignation	Référence
	Support for protection tube - For ductile iron (DN100-400)	RAA80CB
	Support for protection tube - For PVC (DN40-80)	RAA80BD
	Support for protection tube - For PVC (DN100-400)	RAA80CD
6	Intermediate support height = 2m for protection tube (iron)	RAA80DB
	Intermediate support height = 2m for protection tube (PVC)	RAA80ED
7	Surface box PAVA Type (10kg H105)	F1PVAC
	Surface box PAVA Type (14kg H185)	F2PVAC
	Surface box PAVA Type (19kg H150)	F3PVAC
	Surface box TOTAL Roadways (round)	FRTOAB
	Surface box TOTAL Roadways (hexagonal)	FRTODB
	Surface box TOTAL Roadways (square)	FRTOBB
	Surface box TOTAL Pathways (round)	FTTOAB
	Surface box TOTAL Pathways (hexagonal)	FTTODB
	Surface box TOTAL Pathways (square)	FTTOBB

Mounting under Surface box - extension tube 3 up to 6 m 33/42 or 50/60



Item	Désignation	Quantity	Référence
1	Operating cap	1	162082
2 and 4	Adaptor to be welded - Square 28 (DN40-150)	1	162077
	Adaptor to be welded - Square 28 (DN200-400)	1	163358
3	Extension tube - Length 3m (DN40-150)	1	162088
	Extension tube - Length 3m (DN200-400)	1	162229
	Extension tube - Length 4,5m (DN40-150)	1	162231
	Extension tube - Length 4,5m (DN200-400)	1	162232
	Extension tube - Length 6m (DN40-150)	1	162090
	Extension tube - Length 6m (DN200-400)	1	162140
5	Operating coupling according to Valve DN		
6	Spindle guide cover for protection tube (iron)	1	162032
7	Protection tube for L=3m - iron L=1,5m	2	RAC15AB
	Protection tube for L=4,5m - iron L=1,5m	3	RAC15AB
	Protection tube for L=6m - iron L=1,5m	4	RAC15AB
	Protection tube for L=3m - PVC L=1,1m	3	RAC11AD
	Protection tube for L=4,5m - PVC L=1,1m	4	RAC11AD
	Protection tube for L=6m - PVC L=1,1m	6	RAC11AD
8	Intermediate support for L=3m - iron	1	RAA80DB
	Intermediate support for L=3m - iron	2	RAA80DB
	Intermediate support for L=4,5m - iron	3	RAA80DB
	Intermediate support for L=4,5m - PVC	2	RAA80ED
	Intermediate support for L=6m - PVC	3	RAA80ED
	Intermediate support for L=6m - PVC	5	RAA80ED
9	Support for protection tube for ductile iron (DN40-80)	1	RAA80BB
	Support for protection tube for ductile iron (DN100-400)	1	RAA80CB
	Support for protection tube for PVC (DN40-80)	1	RAA80BD
	Support for protection tube for PVC (DN100-400)	1	RAA80CD
10	Surface box PAVA Type (10kg H105)	1	F1PVAC
	Surface box PAVA Type (14kg H185)	1	F2PVAC
	Surface box PAVA Type (19kg H150)	1	F3PVAC
	Surface box TOTAL Roadways (round)	1	FRTOAB
	Surface box TOTAL Roadways (hexagonal)	1	FRTOAB
	Surface box TOTAL Roadways (square)	1	FRTOBB
	Surface box TOTAL Pathways (round)	1	FTTOAB

Item	Désignation	Quantity	Référence
	Surface box TOTAL Pathways (hexagonal)	1	FTTODB
	Surface box TOTAL Pathways (square)	1	FTTOBB

The information on this sketch is, to the best of our knowledge correct at the time of printing. However Saint-Gobain are constantly looking at ways of improving their products and services therefore reserve the right to change without prior notice, any of the data shown. Any orders placed will be subject to our Standard Conditions of Sale, available on request.