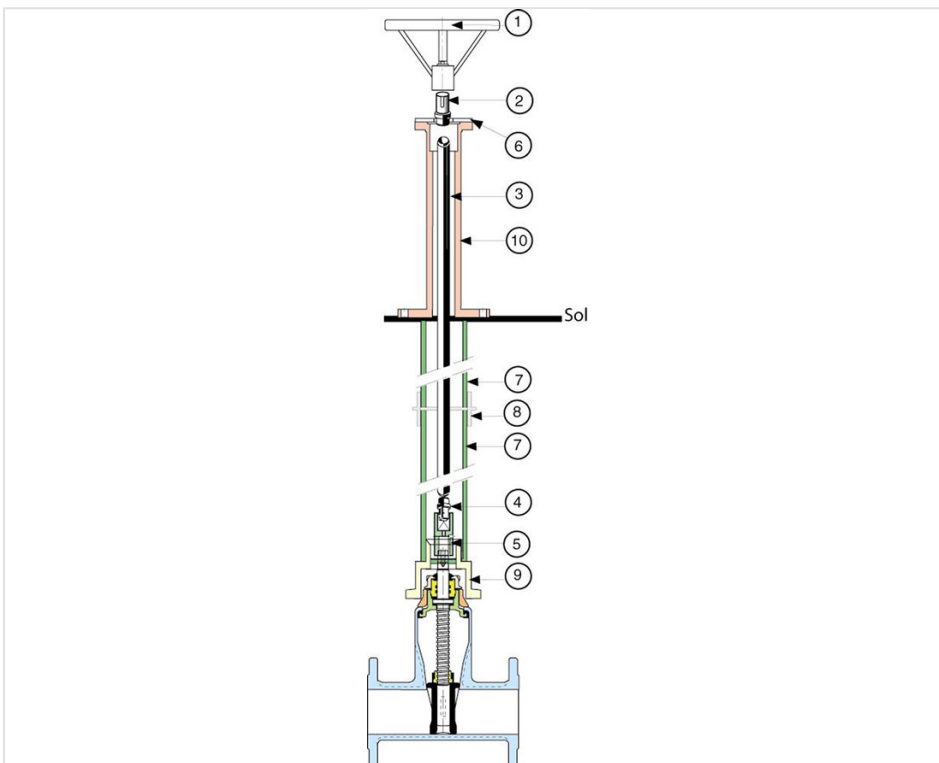


## EURO 20 - Operating with handwheel

### Mounting on Headstock without Indicator - extension tube 3 up to 6 m 33/42 or 50/60



Headstock height = 600 mm

DN valve	Item	Designation	Quantity	Reference
60-150	1	Handwheel	1	162201
60-150	2	Adaptor to be welded - cylindrical keyed	1	162165
60-150	3	Extension tube - Length 3m	1	162088
60-150	3	Extension tube - Length 4,5m	1	162231
60-150	3	Extension tube - Length 6m	1	162090
60-150	4	Adaptor to be welded square 28	1	162077
60-150	5	Operating coupling according to Valve DN	1	
60-150	6	Plate protection with fixed bolts for headstock	1	162295
60-150	7	Protection tube - For L=3m (iron L=1,5m)	2	RAC15AB
60-150	7	Protection tube - For L=4,5m (iron L=1,5m)	3	RAC15AB

DN valve	Item	Designation	Quantity	Reference
60-150	7	Protection tube - For L=6m (iron L=1,5m)	4	RAC15AB
60-150	8	Intermediate Support - For L=3m (iron)	1	RAA80DB
60-150	8	Intermediate Support - For L=4,5m (iron)	2	RAA80DB
60-150	8	Intermediate Support - For L=6m (iron)	3	RAA80DB
60-150	9	Support protection tube for E21-23 NG for ductile iron	1	RAA80BB
60-150	7	Protection tube - For L=3m (PVC L=1,1m)	3	RAC11AD
60-150	7	Protection tube - For L=4,5m (PVC L=1,1m)	4	RAC11AD
60-150	7	Protection tube - For L=6m (PVC L=1,1m)	5	RAC11AD
60-150	8	Intermediate Support - For L=3m (PVC)	2	RAA80ED
60-150	8	Intermediate Support - For L=4,5m (PVC)	3	RAA80ED
60-150	8	Intermediate Support - For L=6m (PVC)	4	RAA80ED
60-150	9	Support protection tube for E21-23 NG for PVC	1	RAA80BD
60-150	10	Headstock without indicator	1	162156

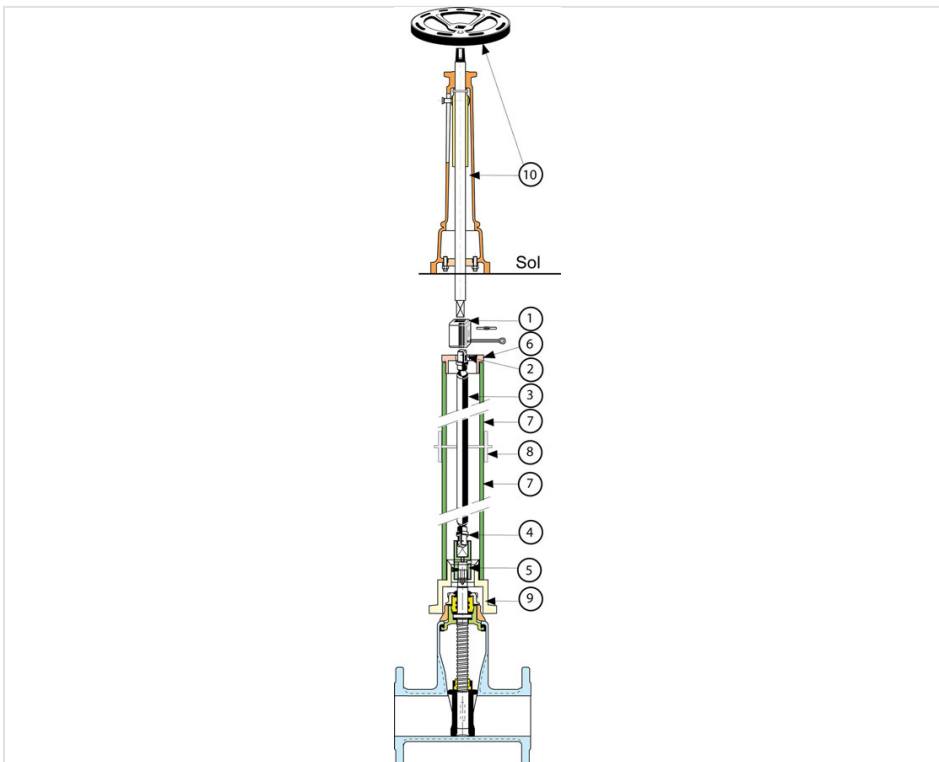
Nota : on request, actuator instead of handwheel.

DN valve	Item	Designation	Quantity	Reference
200-350	1	Handwheel	1	162224
200-350	2	Adaptor to be welded - cylindrical keyed	1	162166
200-350	3	Extension tube - Length 3m	1	162229
200-350	3	Extension tube - Length 4,5m	1	162232
200-350	3	Extension tube - Length 6m	1	162140
200-350	4	Adaptor to be welded square 28	1	163358
200-350	5	Operating coupling according to Valve DN	1	
200-350	6	Plate protection with fixed bolts for headstock	1	184276
200-350	7	Protection tube - For L=3m (iron L=1,5m)	2	RAC15AB
200-350	7	Protection tube - For L=4,5m (iron L=1,5m)	3	RAC15AB
200-350	7	Protection tube - For L=6m (iron L=1,5m)	4	RAC15AB
200-350	8	Intermediate Support - For L=3m (iron)	1	RAA80DB
200-350	8	Intermediate Support - For L=4,5m (iron)	2	RAA80DB
200-350	8	Intermediate Support - For L=6m (iron)	3	RAA80DB
200-350	9	Support protection tube for E21-23 NG for ductile iron	1	RAA80CB
200-350	7	Protection tube - For L=3m (PVC L=1,1m)	3	RAC11AD
200-350	7	Protection tube - For L=4,5m (PVC L=1,1m)	4	RAC11AD
200-350	7	Protection tube - For L=6m (PVC L=1,1m)	5	RAC11AD

DN valve	Item	Designation	Quantity	Reference
200-350	8	Intermediate Support - For L=3m (PVC)	2	RAA80ED
200-350	8	Intermediate Support - For L=4,5m (PVC)	3	RAA80ED
200-350	8	Intermediate Support - For L=6m (PVC)	4	RAA80ED
200-350	9	Support protection tube for E21-23 NG for PVC	1	RAA80CD
200-350	10	Headstock without indicator	1	162157

Nota : on request, actuator instead of handwheel.

### Mounting on Headstock with Indicator - extension tube 1,5 up to 6 m 33/42 or 50/60



Headstock height = 800 mm

DN valve	Item	Designation	Quantity	Reference
60-150	1	Operating Coupling square 28X28 delivered with headstock	1	RAA28GP
60-150	2	Adaptor to be welded - square 28	1	162077
60-150	3	Extension tube - Length 1,5m	1	162193
60-150	3	Extension tube - Length 3m	1	162088
60-150	3	Extension tube - Length 4,5m	1	162231

DN valve	Item	Designation	Quantity	Reference
60-150	3	Extension tube - Length 6m	1	162090
60-150	4	Adaptor to be welded square 28	1	162077
60-150	5	Operating coupling according to Valve DN	1	
60-150	6	Spindle guide cover for protection tube	1	162032
60-150	7	Protection tube - For L=1,5m (iron L=1,5m)	1	RAC15AB
60-150	7	Protection tube - For L=3m (iron L=1,5m)	2	RAC15AB
60-150	7	Protection tube - For L=4,5m (iron L=1,5m)	3	RAC15AB
60-150	7	Protection tube - For L=6m (iron L=1,5m)	4	RAC15AB
60-150	8	Intermediate Support - For L=1,5m (iron)	0	RAA80DB
60-150	8	Intermediate Support - For L=3m(iron)	1	RAA80DB
60-150	8	Intermediate Support - For L=4,5m (iron)	2	RAA80DB
60-150	8	Intermediate Support - For L=6m (iron)	3	RAA80DB
60-150	9	Support protection tube for E21-23 NG for ductile iron	1	RAA80BB
60-150	7	Protection tube - For L=1,5m (PVC L=1,1m)	2	RAC11AD
60-150	7	Protection tube - For L=3m (PVC L=1,1m)	3	RAC11AD
60-150	7	Protection tube - For L=4,5m (PVC L=1,1m)	4	RAC11AD
60-150	7	Protection tube - For L=6m (PVC L=1,1m)	5	RAC11AD
60-150	8	Intermediate Support - For L=1,5m (PVC)	1	RAA80ED
60-150	8	Intermediate Support - For L=3m (PVC)	2	RAA80ED
60-150	8	Intermediate Support - For L=4,5m (PVC)	3	RAA80ED
60-150	8	Intermediate Support - For L=6m (PVC)	4	RAA80ED
60-150	9	Support protection tube for E21-23 NG for PVC	1	RAA80BD
60-150	10	Headstock with indicator	1	

DN valve	Item	Designation	Quantity	Reference
250-350	1	Operating Coupling square 28X28 delivered with headstock	1	RAA28GP
250-350	2	Adaptor to be welded - square 28	1	163358
250-350	3	Extension tube - Length 1,5m	1	162194
250-350	3	Extension tube - Length 3m	1	162229
250-350	3	Extension tube - Length 4,5m	1	162232
250-350	3	Extension tube - Length 6m	1	162140
250-350	4	Adaptor to be welded square 28	1	163358
250-350	5	Operating coupling according to Valve DN	1	
250-350	6	Spindle guide cover for protection tube	1	162032

DN valve	Item	Designation	Quantity	Reference
250-350	7	Protection tube - For L=1,5m (PVC L=1,1m)	2	RAC11AD
250-350	7	Protection tube - For L=3m (PVC L=1,1m)	3	RAC11AD
250-350	7	Protection tube - For L=4,5m (PVC L=1,1m)	4	RAC11AD
250-350	7	Protection tube - For L=6m (PVC L=1,1m)	5	RAC11AD
250-350	8	Intermediate Support - For L=1,5m (PVC)	1	RAA80ED
250-350	8	Intermediate Support - For L=3m(PVC)	2	RAA80ED
250-350	8	Intermediate Support - For L=4,5m (PVC)	3	RAA80ED
250-350	8	Intermediate Support - For L=6m (PVC)	4	RAA80ED
250-350	9	Support protection tube for E21-23 NG for ductile iron	1	RAA80CB
250-350	9	Support protection tube for E21-23 NG for PVC	1	RAA80CD
250-350	10	Headstock with indicator		

*The information on this sketch is, to the best of our knowledge correct at the time of printing. However Saint-Gobain are constantly looking at ways of improving their products and services therefore reserve the right to change without prior notice, any of the data shown. Any orders placed will be subject to our Standard Conditions of Sale, available on request.*