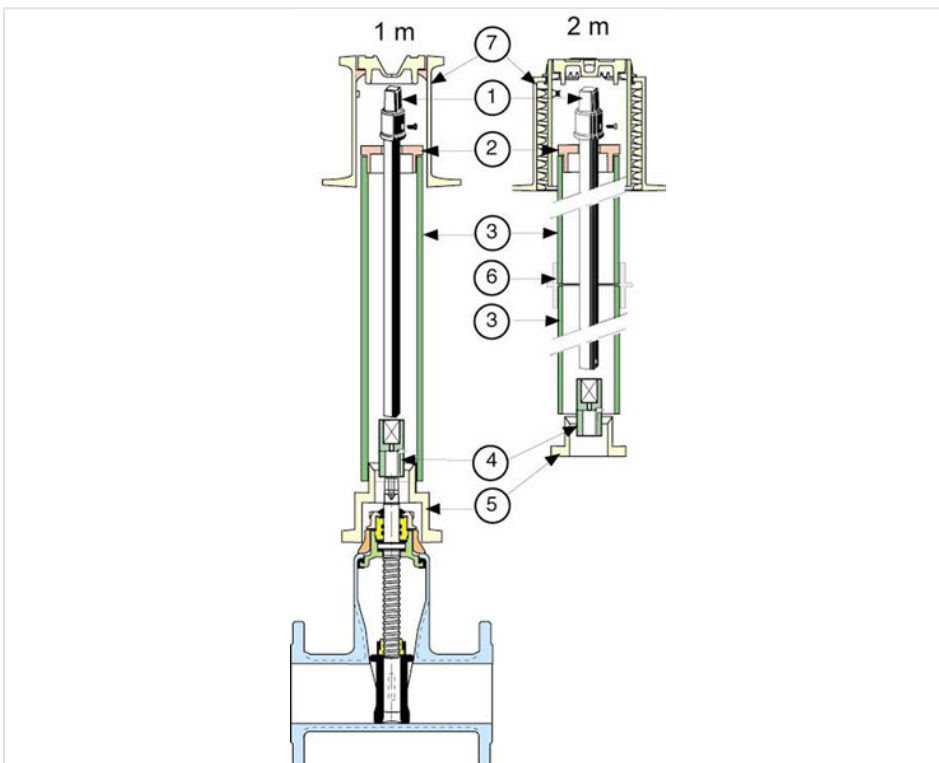


EURO 20 NG - Operating with T key Mounting under Surface box

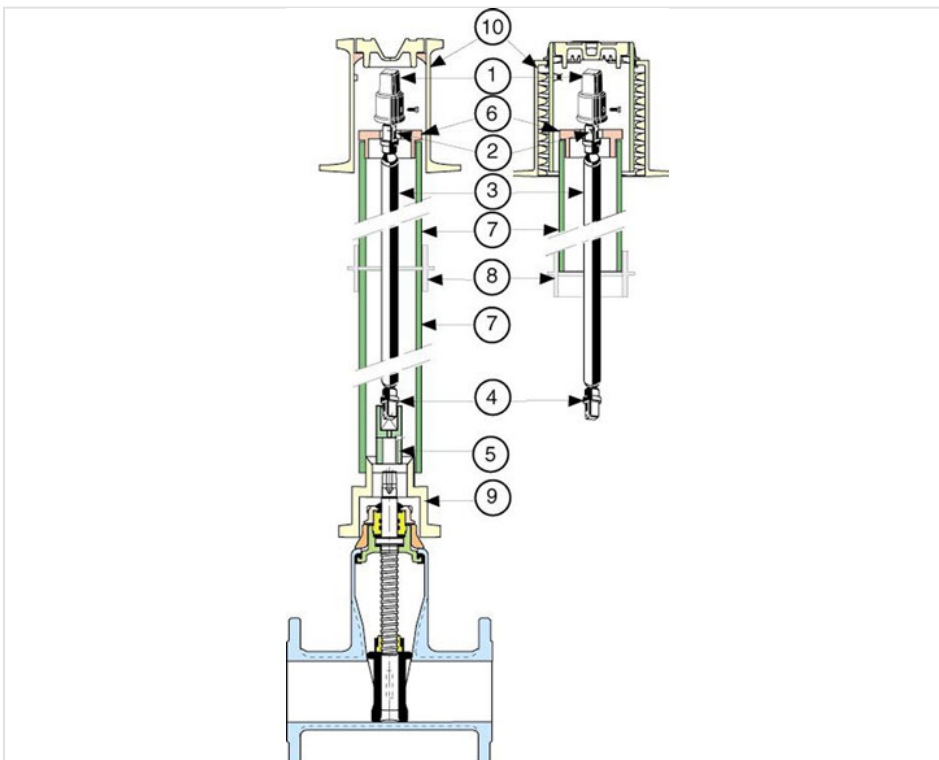
Mounting under Surface box - extension spindle 1 et 2 m square 28X28



Item	Designation	Reference
1	Extension spindle with operating cap - Height 1 m	RAA28F1
	Extension spindle with operating cap - Height 2 m	RAA28F2
2	Spindle guide cover (iron)	162032
	Spindle guide cover (PVC)	162033
3	Protection tube (iron lg 1m)	RAC10AB
	Protection tube (PVC lg 1,1m)	RAC11AD
	Protection tube (PVC lg 0,6m)	RAB60AD
	Protection tube (PVC lg 0,9m)	RAB90AD
4	Operating coupling according to valve DN	
5	Support for protection tube for E21-23 NG for ductile iron tube (DN60-150)	RAA80BB
	Support for protection tube for E21-23 NG for ductile iron tube (DN200-350)	RAA80CB

Item	Designation	Reference
6	Support for protection tube for E21-23 NG for PVC tube (DN60-150)	RAA80BD
	Support for protection tube for E21-23 NG for PVC tube (DN200-350)	RAA80CD
	Intermediate support height = 2m for protection tube (iron)	RAA80DB
	Intermediate support height = 2m for protection tube (PVC)	RAA80DB
7	Surface box PAVA Type (10kg H105)	F1PVAC
	Surface box PAVA Type (14kg H185)	F2PVAC
	Surface box PAVA Type (19kg H150)	F3PVAC
	Surface box TOTAL Roadways (round)	FRTOAB
	Surface box TOTAL Roadways (hexagonal)	FRTODB
	Surface box TOTAL Roadways (square)	FRTOBB
	Surface box TOTAL Pathways (round)	FTTOAB
	Surface box TOTAL Pathways (hexagonal)	FTTODB
	Surface box TOTAL Pathways (square)	FTTOBB

Mounting under Surface box - extension spindle 3 up to 6 m 33/42 or 50/60



Item	Designation	Quantity	Reference
1	Operating cap	1	162082
2 and 4	Adaptor to be welded Square 28 (DN60-150)	1	162077
	Adaptor to be welded Square 28 (DN200-350)	1	163358
3	Extension tube - Length 3m (DN60-150)	1	162088
	Extension tube - Length 4,5m (DN60-150)	1	162231
	Extension tube - Length 6m (DN60-150)	1	162090
	Extension tube - Length 3m (DN200-350)	1	162229
	Extension tube - Length 4,5m (DN200-350)	1	162232
	Extension tube -Length 6m (DN200-350)	1	162140
5	Operating coupling according to valve DN	1	
6	Spindle guide cover for protection tube (iron)	1	162032
7	Protection tube for L=3m (iron L=1,5m)	2	RAC15AB
	Protection tube for L=4,5m (iron L=1,5m)	3	RAC15AB
	Protection tube for L=6m (iron L=1,5m)	4	RAC15AB
	Protection tube for L=3m (PVC L=1,1m)	3	RAC11AD
	Protection tube for L=4,5m (PVC L=1,1m)	4	RAC11AD
	Protection tube for L=6m (PVC L=1,1m)	6	RAC11AD
8	Intermediate support for L=3m (iron)	1	RAA80DB
	Intermediate support for L=4,5m (iron)	2	RAA80DB
	Intermediate support for L=6m (iron)	3	RAA80DB
	Intermediate support for L=3m (PVC)	2	RAA80ED
	Intermediate support for L=4,5m (PVC)	3	RAA80ED
	Intermediate support for L=6m (PVC)	5	RAA80ED
9	Support for protection tube for E21-23 NG for ductile iron (DN60-150)	1	RAA80BB
	Support for protection tube for E21-23 NG for PVC (DN60-150)	1	RAA80BD
	Support for protection tube for E21-23 NG for ductile iron (DN200-350)	1	RAA80CB
	Support for protection tube for E21-23 NG for PVC (DN200-350)	1	RAA80CD
7	Surface box PAVA Type (10kg H105)	1	F1PVAC
	Surface box PAVA Type (14kg H185)	1	F2PVAC
	Surface box PAVA Type (19kg H150)	1	F3PVAC
	Surface box TOTAL Roadways (round)	1	FRTOAB
	Surface box TOTAL Roadways (hexagonal)	1	FRTODB
	Surface box TOTAL Roadways (square)	1	FRTOBB
	Surface box TOTAL Pathways (round)	1	FTTOAB

Item	Designation	Quantity	Reference
	Surface box TOTAL Pathways (hexagonal)	1	FTTODB
	Surface box TOTAL Pathways (square)	1	FTTOBB

The information on this sketch is, to the best of our knowledge correct at the time of printing. However Saint-Gobain are constantly looking at ways of improving their products and services therefore reserve the right to change without prior notice, any of the data shown. Any orders placed will be subject to our Standard Conditions of Sale, available on request.