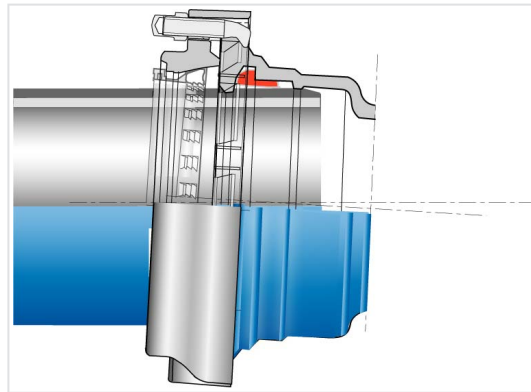


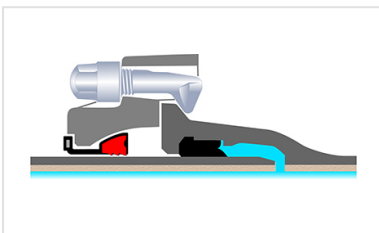
Kit Standard Fitting PECB + Standard V+i Joint



DN mm	Class	PFA bar
350	C30	12
400	C30	10
450	C30	10
500	C30	10
600	C30	10

* PFA with STANDARD pipe C30

Linked products



STD V+i joint for fittings
DN350-600

The information on this sketch is, to the best of our knowledge correct at the time of printing. However Saint-Gobain are constantly looking at ways of improving their products and services therefore reserve the right to change without prior notice, any of the data shown. Any orders placed will be subject to our Standard Conditions of Sale, available on request.