

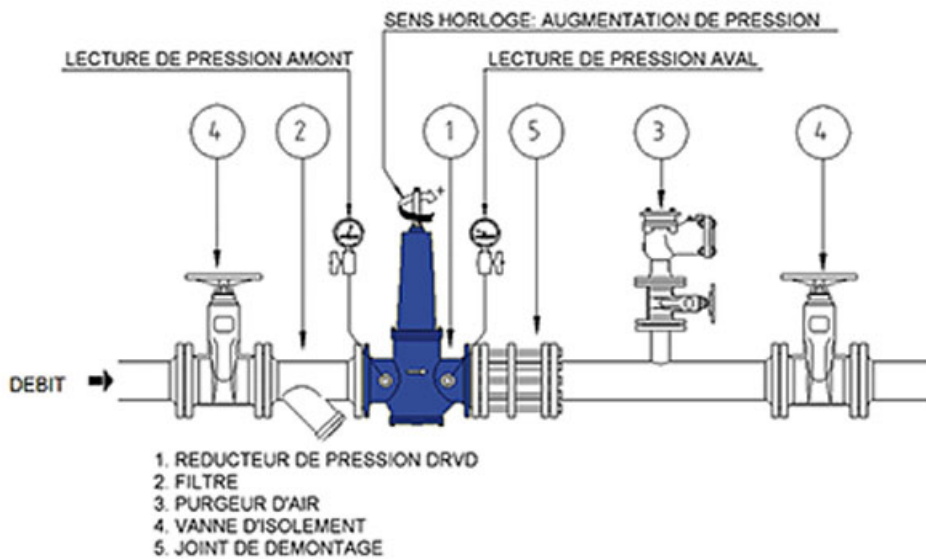
## Operation and maintenance instructions for pressure reducing valve Type DRVD DN125-200



### Preliminary inspection

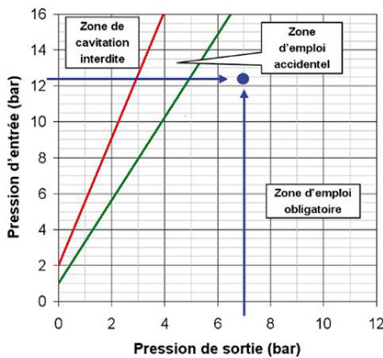
The pressure reducing valve DRVD type must be used on cold potable water networks. Before to use it, it's necessary to check that the installation and water quality fulfill the requirements of regulations in force in particular NF EN 806-2, NF P40-201 DTU 60.1, Décret n° 2001-1220. Check also that the valve is not damaged by transport or handling : in case of damage, please repair.

### Necessary installation requirements



Pipe in horizontal position, calibrating screw of the valve installed upwards. It is essential that the valve is installed between 2 isolating valves and that it is protected by a strainer on upstream side and an air valve on downstream side. Please respect the diagram below. The direction of assembly is indicated by an arrow.

## Conditions of use



Check that the conditions of use correspond to the supplied valve:

- Pressures: in standard conditions from 1,5 to 6 bars, in special conditions (different springs) from 2 to 8 bars and from 4 to 1 bars maximum
- Maximum pressure: 16 bars. Please consult us in case of higher pressure
- Cool water (maximum temperature : 40° C)
- Maximum capacity:

DN	Maximum capacity (l/s)
125	25,7
150	37,1
200	66,0

## Start up and adjustment

The valve is a direct pressure reducing valve: it is operated by the downstream pressure which pushes the piston against the force of the spring.

The adjustment of pressure is made with the calibrating screw (100):

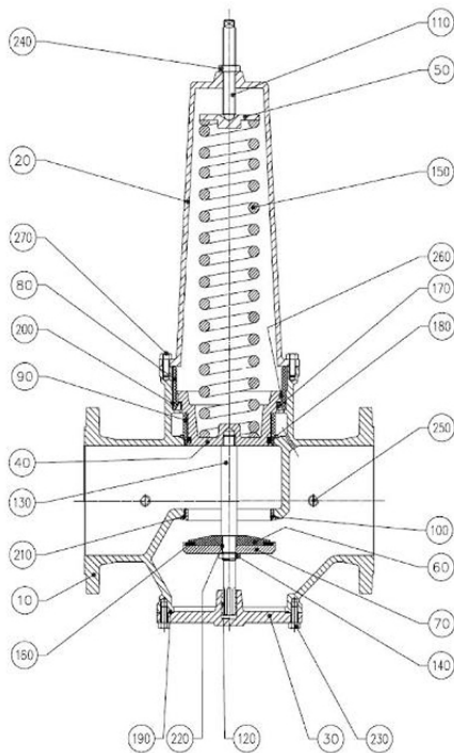
- Increase of pressure: calibration in clockwise direction
- Decrease of pressure: calibration in anti-clockwise direction

Procedure of adjustment:

- Isolate the valve closing the 2 isolating valves (4),

- Open the isolating valve on the air valve (3); the strainer (2) must be clean, the pressure-gauges have to be installed,
- Decompress the spring of the valve completely while turning the calibrating screw (100) in anti-clockwise direction,
- The adjustment of pressure is made with a low flow in the network: open a water intake on downstream side,
- Open the upstream isolating valve (3-4 turns only), check the upstream pressure which must be lower than the allowable operating pressure of the valve,
- Calibrate with the indicated pressure, control on the downstream pressure-gauge,
- Close the water intake,
- Open completely the isolating valves (upstream and downstream) (4).

## Instructions of use and maintenance



It is imperative to follow the following recommendations:

- Every 3 months: control the upstream pressure and check the recommended pressure, adjust it if necessary.
- The maintenance operations have to be made after water cut and without dismantling the valve. It is necessary to isolate it in order not to have pressure.
  - Every 12 months: replace the joint (160) – see references on the following page.
  - Every 3 years: replace all the dynamic joints

Any other operation on the valve, other than concerning maintenance, must be subjected to the prior agreement of the After Sale Department.

All the joints are also available in one kit.

Item	Quantity	Description
270	4	Fixing screw
260	1	Segment
250	2	Pressure intake
240	1	Nut
230	4	Fixing screw
220	1	O'ring
210	1	O'ring
200	1	O'ring
190	1	O'ring
180	1	Lip joint
170	1	Lip joint
160	1	Joint
150	1	Spring
140	1	Nut
130	1	Shaft
120	1	Ring
110	1	Calibrated screw
100	1	Seat
90	1	Lower ring
80	1	Upper ring
70	1	Joint holder
60	1	Disc
50	1	Gasket
40	1	Piston
30	1	Cover
20	1	Cap
10	1	Body

## Note the operating conditions before any intervention.

1- Maintenance 12 months: item joint 170 (1 kit of 3 pieces)

DN	Reference
125	212462
150	212463
200	212464

### Assembly instructions:

- 1- Isolate the valve after decreasing of the internal pressure (if necessary dismantle from the network),
- 2- Untighten completely the spring (150) (turn the calibrating screw (110) in anti-clockwise direction),
- 3- Remove the fixing screws of the cap (270), then the cap (20),
- 4- Remove the spring and gaskets (150-50),
- 5- Remove the cover (30),
- 6- Remove the nut (140), the joint holder (70) the disc (60) and the joint (160),
- 7- Take the piston out (40),
- 8- Remove the lip joint (170), clean and lubricate the joints, then put the joint back in place,
- 9- Put the piston back in its place without damaging the joints,
- 10- Proceed in opposite direction for the reassembly,
- 11- Open the isolating valves and regulate according to instructions above.

2- Maintenance 3 years: item joints 160, 170, 180, 260 (1 kit of 1 piece of each item)

DN	Reference
125	212469
150	212470
200	212471

### Assembly instructions:

- 1- Isolate the valve after decreasing of the internal pressure (if necessary dismantle from the network),
- 2- Untighten completely the spring (150) (turn the calibrating screw (110) in anti-clockwise direction),
- 3- Remove the fixing screws of the cap (270), then the cap (20),
- 4- Remove the spring and gaskets (150-50),
- 5- Remove the cover (30),
- 6- Remove the nut (140), the joint holder (70) the disc (60) and the joint (160),
- 7- Take the piston out (40),
- 8- Remove the joints (170-180-260), clean and lubricate and put in place the new joints,
- 9- Put the piston back in its place without damaging the joints,
- 10- Proceed in opposite direction for the reassembly,

11- Open the isolating valves and regulate according to instructions above.

3- Replacement of all the joints : 1 kit of 1 piece of each item

This kit, containing all the joints, will permit an unusual repair.

DN	Reference
125	166929
150	162947
200	166930

4- Modification of adjustment by changing the spring kit

DN	Reference from 2 to 8 bar	Reference from 4 to 12 bar
125	202166	166928
150	176162	167092
200	202167	167103

### Assembly instructions:

- 1- Isolate the valve after decreasing of the internal pressure (if necessary dismantle from the network),
- 2- Untighten completely the spring (150) (turn the calibrating screw (110) in anti-clockwise direction),
- 3- Remove the fixing screws of the cap (270), then the cap (20),
- 4- Remove the spring and gaskets (150-50),
- 5- Put in place the new spring, with new gaskets if necessary,
- 6- Proceed in opposite direction for the reassembly,
- 7- Open the isolating valves and regulate according to instructions above.

*The information on this sketch is, to the best of our knowledge correct at the time of printing. However Saint-Gobain are constantly looking at ways of improving their products and services therefore reserve the right to change without prior notice, any of the data shown. Any orders placed will be subject to our Standard Conditions of Sale, available on request.*