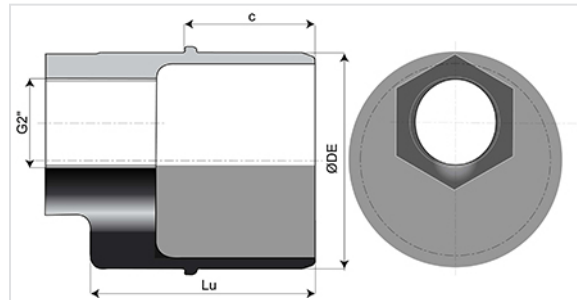


Alpinal Plug 2" Gaz DN80-200



DN	Lu	Ø DE	Bead position c	Mass	References
80 mm	150 mm	98 mm	85 mm	2.50 kg	ANA80BH
100 mm	150 mm	118 mm	90 mm	3.80 kg	AKB10BH
125 mm	150 mm	144 mm	87 mm	5.70 kg	AKB12BH
150 mm	180 mm	170 mm	95 mm	8.90 kg	AKB15BH
200 mm	180 mm	222 mm	100 mm	13.20 kg	AKB20BH

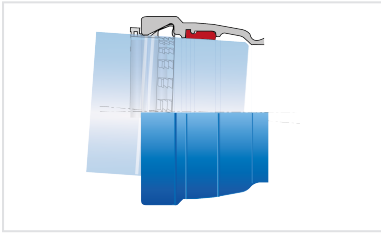
Field of use:

- For connecting and water supply of snow guns
- Working networks under very high pressures

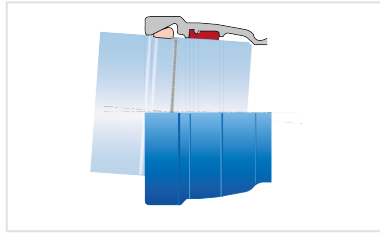
Main characteristics:

- Internal and external lining : bituminous paint
 - Thickness of ductile iron adapted to the pressure
 - Elastomer of quality EPDM
 - Class : pressure class according to EN 545 and ISO 2531
-
- **DN80:** to lock necessarily with the anchoring joint ALPINAL UNIVERSAL Vi (Novo-Sit)
 - **DN100 to 300:** with weld bead on the spigot, to lock necessarily with the anchoring joint ALPINAL UNIVERSAL Ve (Tisk-K)

Linked products



Kit ALPINAL Universal
Tyton Fitting PECB +
Universal Tyton Vi Joint



Kit ALPINAL Universal
Tyton Fitting PECB +
Universal Tyton Ve Joint

The information on this sketch is, to the best of our knowledge correct at the time of printing. However Saint-Gobain are constantly looking at ways of improving their products and services therefore reserve the right to change without prior notice, any of the data shown. Any orders placed will be subject to our Standard Conditions of Sale, available on request.