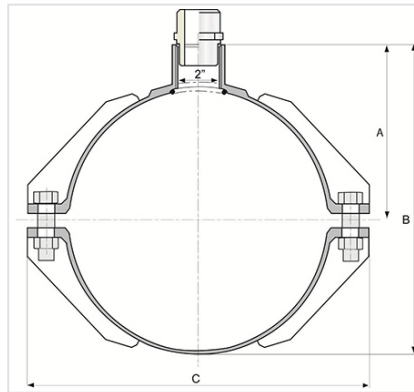


Alpinal Saddle DN300-400



DN (mm)	A (mm)	B (mm)	C (mm)	Mass (kg)	References
300	215	382	434	10.80	ANB30AFLDD
350	242	435	486	11.40	ANB35AFLDD
400	267	486	537	12.00	ANB40AFLDD

* PFA 100 bar

Material and coating

Designation	Material
Body	Stainless Steel
Bolts	Inox
Joint	EPDM

EN 545

The information on this sketch is, to the best of our knowledge correct at the time of printing. However Saint-Gobain are constantly looking at ways of improving their products and services therefore reserve the right to change without prior notice, any of the data shown. Any orders placed will be subject to our Standard Conditions of Sale, available on request.