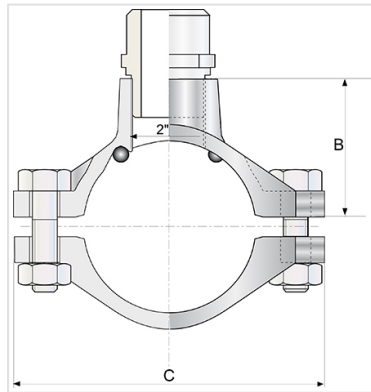


Alpinal saddle with 2" female thread DN80-250



DN (mm)	B (mm)	C (mm)	Mass (kg)	References
80	100	205	5.60	ANA80AFLDD
100	110	225	6.00	ANB10AFLDD
125	115	250	6.40	ANB12AFLDD
150	135	280	6.80	ANB15AFLDD
200	160	332	8.20	ANB20AFLDD
250	186	384	9.00	ANB25AFLDD

The saddle is threaded 2". It is delivered without nipple nor reduction. In option we can provide a male or female reduction into 1"½ or 1". PFA 100 bar

Material and coating

Designation	Material	Coating
Body	Ductile Iron 400/5	VBI
Screw	Steel class 8/8	Zinc coated
O'ring 60 X 10 (*)	Nitrile NBR 70 Shore A	

(*) O'ring SAP reference as spare part is 249749

EN 545

The information on this sketch is, to the best of our knowledge correct at the time of printing. However Saint-Gobain are constantly looking at ways of improving their products and services therefore reserve the right to change without prior notice, any of the data shown. Any orders placed will be subject to our Standard Conditions of Sale, available on request.