

Electric position indicator PRISMA



Electromechanical position indicator

The installation includes the support and the nuts and bolts (Stainless steel ISI-304).

Mass of box and support: 0.55 kg.

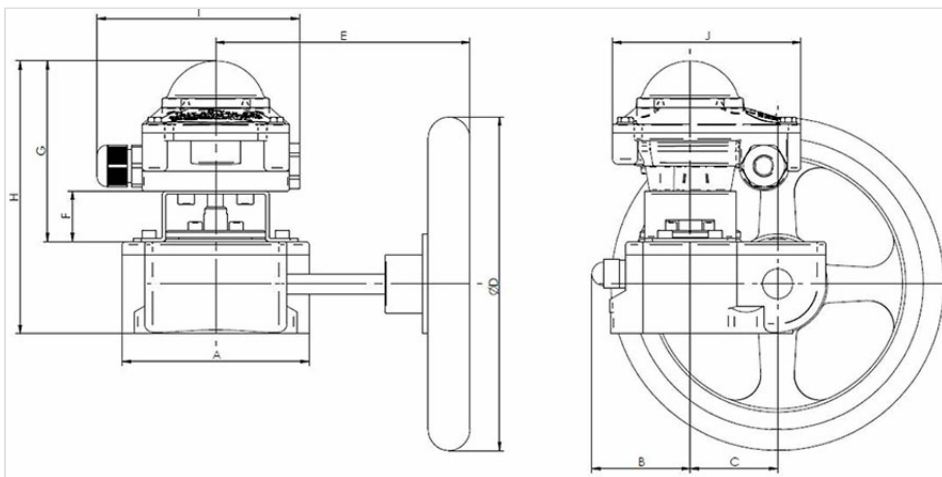
Operating temperature environment between -20 with 80° C.

Limit switch type OMRON SS5GL (SPDT).

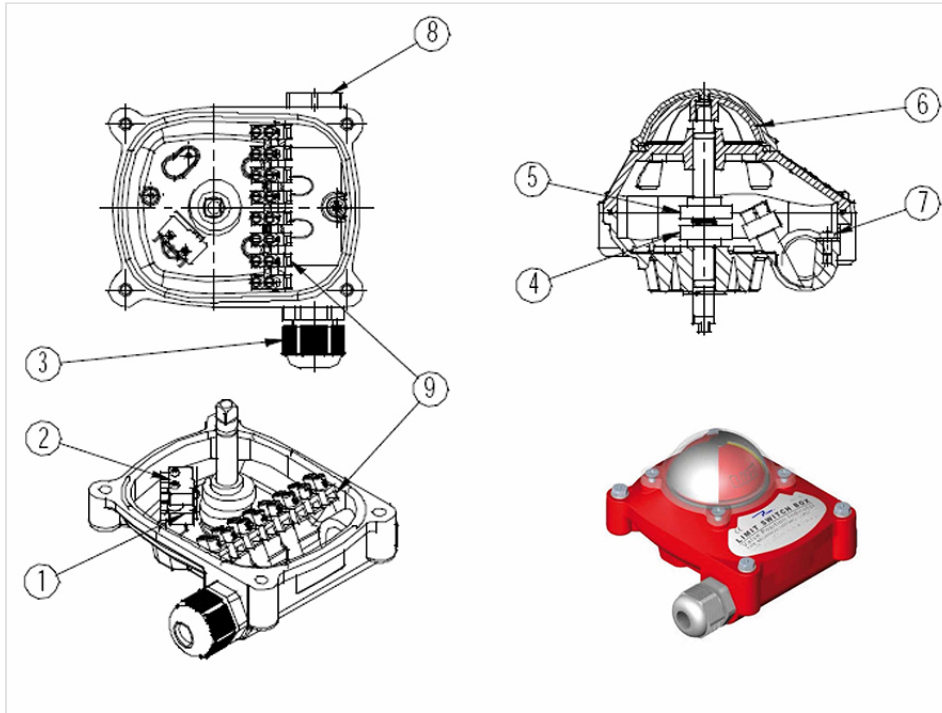
Dimensions

MDV	A mm	B mm	C mm	D mm	E mm	F mm	G mm	H mm	I mm	J mm
MDV-0	84	50,5	43,5	125	128	23	78	149	118	112
MDV-1	84	50,5	43,5	160	135	23	78	149	118	112
MDV-1A	112	57	52,5	200	152	30,5	108,5	163	118	112
MDV-2	120	70,5	61,2	250	222	30,5	108,5	178	118	112
MDV2A	135	72,5	69,0	300	278	30,5	108,5	186	118	112
MDV-3	180	91,5	96,5	400	321	60	138	226	118	112
MDV-4	282	140	137,5	500	408	60	138	253	118	112
MDV-5	282	140	137,5	600	456	60	138	253	118	112
MDV-6	376	156	180	700	510	60	138	259	118	112

MDV	A mm	B mm	C mm	D mm	E mm	F mm	G mm	H mm	I mm	J mm
MDV-7	376	156	180	700	579	60	138	259	118	112
MDV-8	510	201	251,5	700	593	60	138	306	118	112
MDV-9	510	201	251,5	700	593	60	138	306	118	112



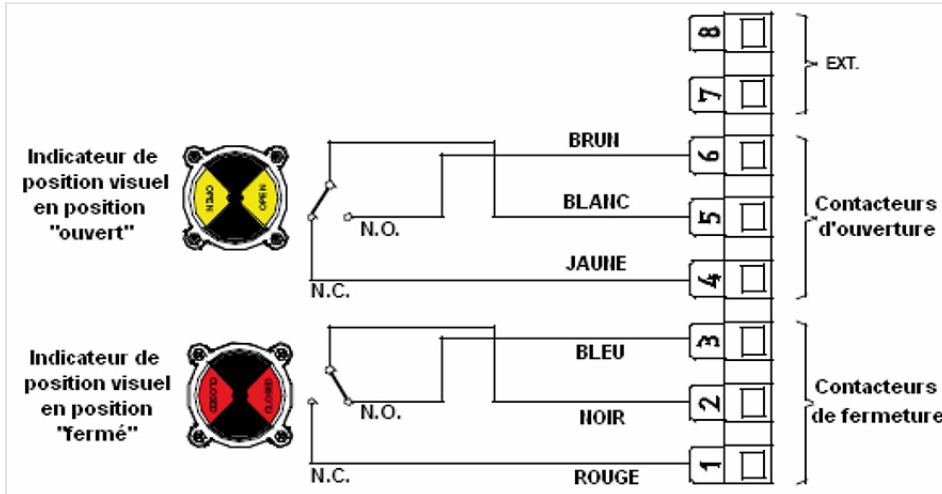
Material of the indicator



Item	Description	Material	Protection
1	Opening limit switch*	-	
2	Closing limit switch*	-	
3	Stuffing box	-	IP-67 M20 Diameter of the cable 6-12 mm 1 unit. Optional 2 units
4	Adjusting wedge opening	-	
5	Adjusting wedge closing	-	
6	Visual position indicator	Polycarbonate	
7	Connection with ground	Stainless steel	
8	Plug	Polyamide	
9	Block of connection	Stainless steel	

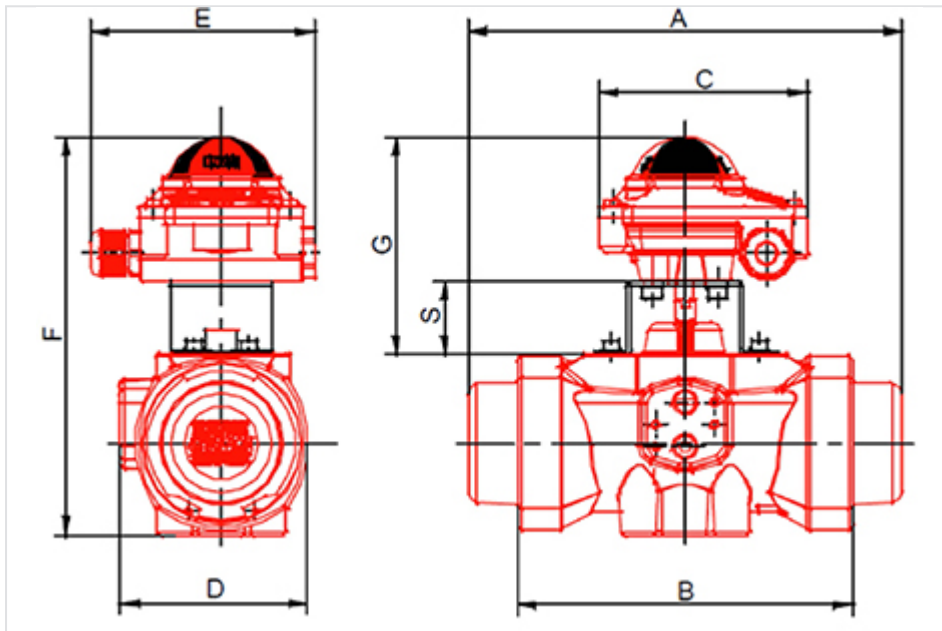
* Sensor limit switch OMRON SS5GL (SPDT)

Technical characteristics



Connections of the position indicator

Dimensions of pneumatic actuation + position indicator



Actuator	A mm	B mm	C mm	D mm	E mm	F mm	G mm	S mm
PW-PWS	143,5	109	112	68,5	118	188	123	30

Actuator	A	B	C	D	E	F	G	S
	mm	mm	mm	mm	mm	mm	mm	mm
P00-P00S	160	125	112	80	118	213	133	40
P05-P05S	194	146	112	98	118	225	133	40
P10-P10S	236	182	112	108	118	230	133	40
P15-P15S	266	203	112	121	118	251	133	40
P20-P20S	312	234	112	127	118	264	133	40
P25-P25S	362	276	112	152	118	314	133	40
P30-P30S	479	349	112	177	118	314	133	40
P40-P40S	598	444	112	226	118	375	153	60
P50-P50S	694	524	112	257,5	118	416	153	60

The information on this sketch is, to the best of our knowledge correct at the time of printing. However Saint-Gobain are constantly looking at ways of improving their products and services therefore reserve the right to change without prior notice, any of the data shown. Any orders placed will be subject to our Standard Conditions of Sale, available on request.