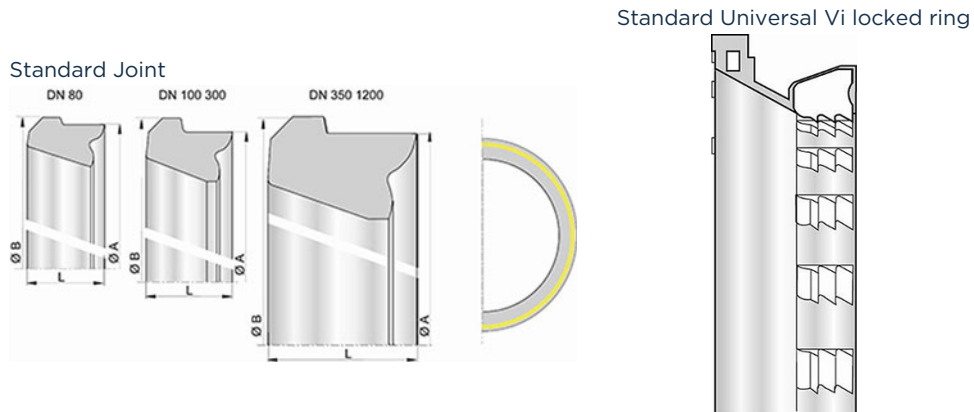


UNI STD Vi joint for INTEGRAL® Pipes and Fittings DN80-700

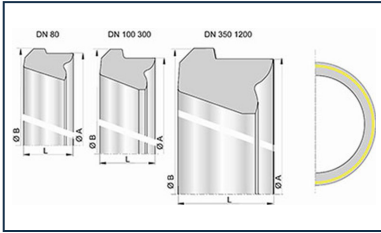


The STANDARD UNIVERSAL VI gasket is a push-on joint with metallic inserts found inside the locked ring.

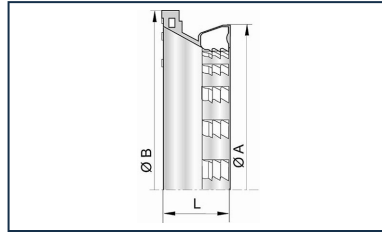
Details

DN	Mass of Universal Vi locking ring	References of Universal Vi locking ring	Mass of gasket	References of gasket
mm	kg		kg	
80	0.150	ANA80CA6	0.156	JSA80BB
100	0.200	ANB10CA6	0.207	JSB10BB
125	0.260	ANB12CA6	0.257	JSB12BB
150	0.310	ANB15CA5	0.300	JSB15BB
200	0.490	ANB20CA4	0.405	JSB20BB
250	0.610	ANB25CA4	0.524	JSB25BB
300	0.780	ANB30CA4	0.749	JSB30BB
350	1.470	JNB35CA	0.945	JSB35BB
400	1.700	JNB40CA	1.134	JSB40BB
450	1.870	JNB45CA	1.393	JSB45BB
500	2.540	JNB50CA	1.626	JSB50BB
600	3.000	JNB60CA	2.276	JSB60BB
700	3.660	110053	3.022	JSB70BB

Linked products



Nitrile STD Gasket
 DN80-2000



UNI Vi Locked Ring
 DN80-700

The information on this sketch is, to the best of our knowledge correct at the time of printing. However Saint-Gobain are constantly looking at ways of improving their products and services therefore reserve the right to change without prior notice, any of the data shown. Any orders placed will be subject to our Standard Conditions of Sale, available on request.