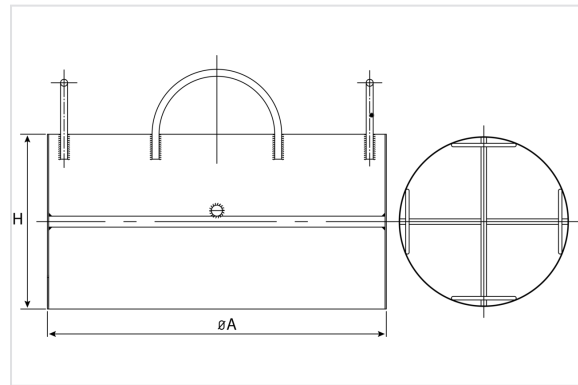


## Auxilliary formwork for VIATOP M SELFLEVEL



A	H	Mass	References
680 mm	350 mm	20.00 kg	C39

### Materials and Coating

- Galvanized Steel

### Application area

- The auxiliary formwork VIATOP M SELFLEVEL facilitates the pouring and compaction of bituminous road-building materials.

*The information on this sketch is, to the best of our knowledge correct at the time of printing. However Saint-Gobain are constantly looking at ways of improving their products and services therefore reserve the right to change without prior notice, any of the data shown. Any orders placed will be subject to our Standard Conditions of Sale, available on request.*