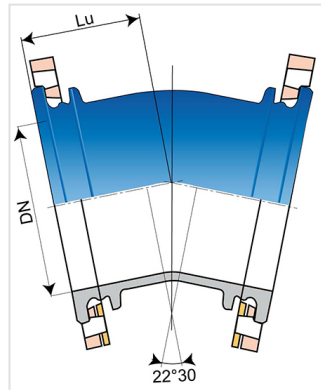


Bend 22°30 (1/16) (PECB) with 2 Rotatable Flanges



Angle	DN (mm)	Lu (mm)	PN 10		PN 16		PN 25		PN 40	
			Mass (kg)	References	Mass (kg)	References	Mass (kg)	References	Mass (kg)	References
22°30	60	114	7.20	BAA60CD10TT	7.20	BAA60CD10TT				
22°30	65	114	7.50	BAA65CD10TT	7.50	BAA65CD10TT				
22°30	80	105	9.30	BAA80CD10TT	9.30	BAA80CD10TT	9.30	BAA80CD10TT	9.30	BAA80CD10TT
22°30	100	110	11.00	BAB10CD10TT	11.00	BAB10CD10TT	12.50	BAB10CD30TT	12.50	BAB10CD30TT
22°30	125	105	14.00	BAB12CD10TT	14.00	BAB12CD10TT	15.70	BAB12CD30TT	15.70	BAB12CD30TT
22°30	150	109	18.20	BAB15CD10TT	18.20	BAB15CD10TT	20.20	BAB15CD30TT	20.20	BAB15CD30TT
22°30	200	131	27.00	BAB20CD10TT	27.00	BAB20CD20TT	31.50	BAB20CD30TT		
22°30	250	175	32.40	BAB25CD10TT2	32.40	BAB25CD20TT2	35.80	BAB25CD30TT2		
22°30	300	194	44.40	BAB30CD10TT2	43.90	BAB30CD20TT2	47.70	BAB30CD30TT2		
22°30	350	193	70.25	BAB35CD10TT2	72.56	BAB35CD20TT2	84.32	BAB35CD30TT2		
22°30	400	221	89.60	BAB40CD10TT2	98.60	BAB40CD20TT2	116.60	BAB40CD30TT2		
22°30	450	234	110.15	BAB45CD10TT2	120.23	BAB45CD20TT2	140.60	BAB45CD30TT2		
22°30	500	272.5	143.00	BAB50CD10TT	169.00	BAB50CD20TT				
22°30	600	298.5	209.69	BAB60CD10TT2	262.19	BAB60CD20TT2				

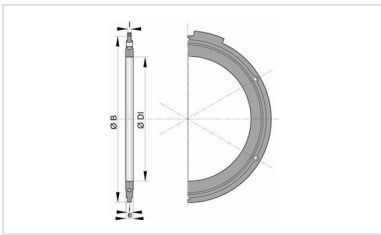
Field of use:

- For drinking water networks

Main characteristics:

- External and internal coating : Blue epoxy powder 250 microns average thickness with a minimum of 200 microns, conforming to EN 14901 (PECB)
- In conformity with EN 545:2010 and ISO 2531:2009

Linked products



Flanged joint with hot galvanized steel bolts, nuts and washers

The information on this sketch is, to the best of our knowledge correct at the time of printing. However Saint-Gobain are constantly looking at ways of improving their products and services therefore reserve the right to change without prior notice, any of the data shown. Any orders placed will be subject to our Standard Conditions of Sale, available on request.