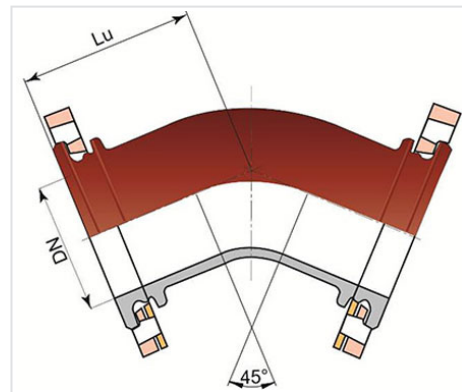


Bend 45° (1/8) INTEGRAL with 2 Rotatable Flanges



Angle	DN (mm)	Lu (mm)	PN 10		PN 16	
			Mass (kg)	References	Mass (kg)	References
45°	80	130	10.00	BAA80CB10FF	10.00	BAA80CB10FF
45°	200	180	31.00	BAB20CB10FF	31.00	BAB20CB20FF
45°	250	245	53.20	BAB25CB10FF		
45°	300	275	73.60	BAB30CB10FF		
45°	400	337	124.00	BAB40CB10FF	133.00	BAB40CB20FF
45°	450	370	158.00	BAB45CB10FF		
45°	500	400	197.00	BAB50CB10FF	223.00	BAB50CB20FF
45°	600	463	289.00	BAB60CB10FF	339.00	BAB60CB20FF

(*) please contact us

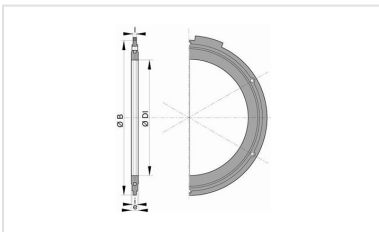
Field of use:

- Separate sewer system and combined sewer system
- Application: gravity flow and rising main sewerage systems
- Type of effluent: domestic wastewater and rainwater
- For networks with rising main under pressure
- For effluents between pH1 and pH13

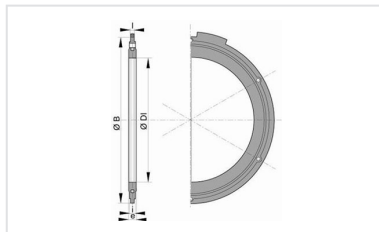
Main characteristics:

- External and internal coating: red epoxy powder 250µm (PECR)
- EN 598 / CE Marking
- Declaration of performances [DoP-INTEGRAL005EN](#)
- Designed according to the regulatory texts:
 - NF EN 476: general prescriptions for components used in the networks
 - NF EN 752: Conception of sewage projects
 - NF EN 1610: Reception of the works
 - CCTG: Fascicule 70 (sewage work)

Linked products



Flanged joint with hot galvanized steel bolts, nuts and washers for sewage



Flanged joint with hot galvanized steel bolts, nuts and washers

The information on this sketch is, to the best of our knowledge correct at the time of printing. However Saint-Gobain are constantly looking at ways of improving their products and services therefore reserve the right to change without prior notice, any of the data shown. Any orders placed will be subject to our Standard Conditions of Sale, available on request.