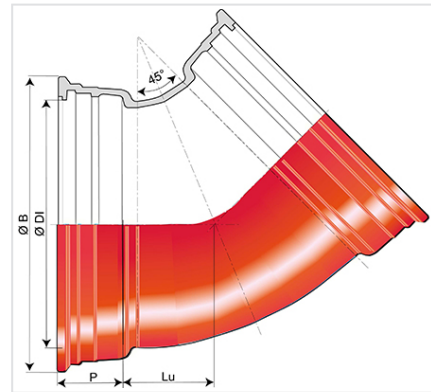
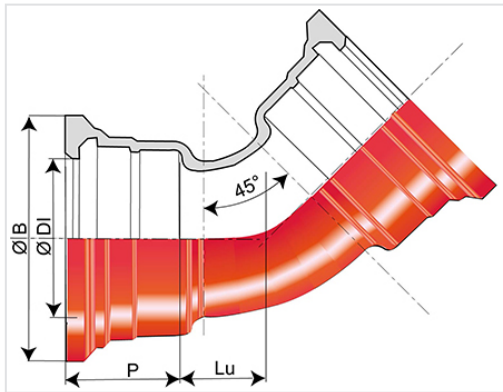


Bend 45° (1/8) INTEGRAL with 2 sockets STANDARD



Angle	DN (mm)	Lu (mm)	P (mm)	ØDI (mm)	ØB (mm)	Mass (kg)	References
45°	80	56.5	85	101	167.5	7.30	TSA80CB
45°	100	65	88	121	187.5	9.30	TSB10CB
45°	125	83.5	91	147	214.5	12.80	TSB12CB
45°	150	92.5	94	173	241	16.20	TSB15CB
45°	200	100	100	225	294	24.50	TSB20CB
45°	250	136	105	277	351	41.50	TSB25CB
45°	300	167.5	110	329	408	60.50	TSB30CB
45°	350	168	110	381.4	464.3	73.50	TSB35CB
45°	400	189	112	432.4	515.3	72.00	TSB40CB
45°	450	216	115.5	483.5	573	118.30	TSB45CB
45°	500	220	117.5	535.5	628	149.00	TSB50CB
45°	600	283	132.5	638.6	737	216.00	TSB60CB
45°	700	335.5	150	742.2	861	319.00	TSB70CB
45°	800	364.5	160	846.3	972	414.10	TSB80CB
45°	900	403.5	175	949.4	1080	545.10	TSB90CB
45°	1000	439.5	185	1052.5	1189	703.30	TSC10CB

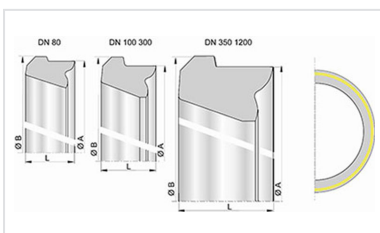
Field of use:

- Separate sewer system and combined sewer system
- Application: gravity flow and rising main sewerage systems
- Type of effluent: domestic wastewater and rainwater
- For networks with rising main under pressure
- For effluents between pH1 and pH13

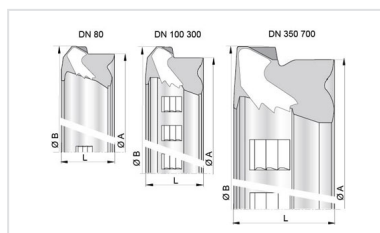
Main characteristics:

- External and internal coating: red epoxy powder 250µm (PECR)
- Type of joint: Standard
- Standard Gasket in Nitrile
- EN 598 / CE Marking
- Declaration of performances [DoP-INTEGRAL005EN](#)
- Mark NF
- Designed according to the regulatory texts:
 - NF EN 476: general prescriptions for components used in the networks
 - NF EN 752: Conception of sewage projects
 - NF EN 1610: Reception of the works
 - CCTG: Fascicule 70 (sewage work)

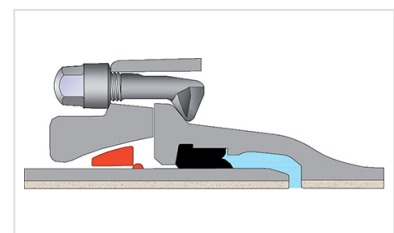
Linked products



Nitrile STD Gasket
DN80-2000



Gasket ViLoK® (NBR STD
Vi) DN80-700



STD Ve joint for INTEGRAL
STD Fittings

The information on this sketch is, to the best of our knowledge correct at the time of printing. However Saint-Gobain are constantly looking at ways of improving their products and services therefore reserve the right to change without prior notice, any of the data shown. Any orders placed will be subject to our Standard Conditions of Sale, available on request.