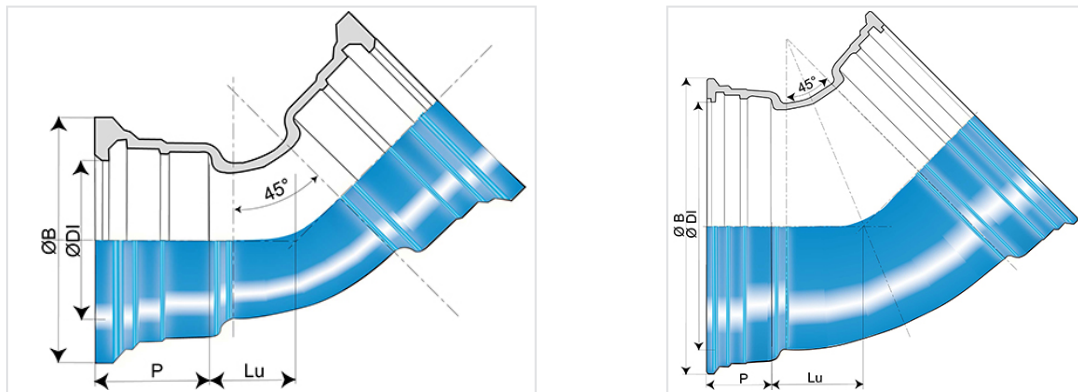


Bend 45° (1/8) PROCESS FM with 2 sockets STANDARD



Ductile iron networks for fire protection

Angle	DN (mm)	Lu (mm)	P (mm)	ØDI (mm)	ØB (mm)	Mass (kg)	References
45°	100	65	88	121.4	187.5	8.90	SSB10CB00TTF
45°	150	92.5	94	173.4	241	15.60	SSB15CB00TTF
45°	200	100	100	225.5	294	23.70	SSB20CB00TTF
45°	250	136	105	277.3	351	40.50	SSB25CB00TTF
45°	300	167.5	110	329.3	408.3	59.00	SSB30CB00TTF
45°	400	189	112	432.4	515.3	91.00	SSB40CB00TTF

Field of use:

- Any fire protection networks, restrained or not, buried
- Installation in any industrial sites or other works of civil engineering

Main characteristics:

- Pressure strength: tests according to FM Approval CN1610 (see label below)
- Internal and external coating: blue Epoxy Powder 250µm (PECB)
- FM Approval (Factory Mutual System)

Marking :

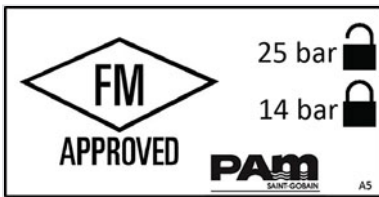
- The indicated values indicate the pressure tests with or without restraining.
- The certification tests FM are realized according to the FM approvals Class number 1610 (September 2006) referential.
- Marking on high durability engraved laser acrylate label.



DN100



DN150



DN200-300



DN400

The information on this sketch is, to the best of our knowledge correct at the time of printing. However Saint-Gobain are constantly looking at ways of improving their products and services therefore reserve the right to change without prior notice, any of the data shown. Any orders placed will be subject to our Standard Conditions of Sale, available on request.