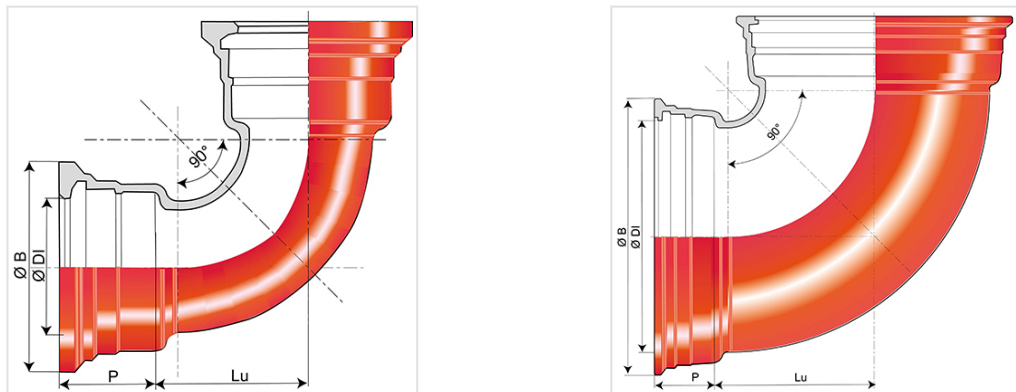


## Bend 90° (1/4) INTEGRAL with 2 sockets STANDARD



Angle	DN (mm)	Lu (mm)	P (mm)	ØDI (mm)	ØB (mm)	Mass (kg)	References
90°	80	91.5	85	101	167.5	7.90	TSA80CA
90°	100	105	88	121	187.5	10.40	TSB10CA
90°	150	152.5	94	173	241	18.70	TSB15CA
90°	200	200	100	225	294	30.00	TSB20CA
90°	250	252	105	277	351	50.60	TSB25CA
90°	300	304	110	329	408	74.20	TSB30CA
90°	350	390	110	381.4	464.3	109.00	TSB35CA
90°	400	436	112	432.4	515.3	141.00	TSB40CA
90°	450	482	115.5	483.5	573	144.00	TSB45CA
90°	500	525	117.5	535.5	628	215.00	TSB50CA
90°	600	624	132.5	638.6	737	311.00	TSB60CA
90°	700	670	150	742.2	861	584.00	TSB70CA
90°	800	735	160	846.3	972	696.00	TSB80CA
90°	900	880	175	949.4	1080	800.00	TSB90CA
90°	1000	1000	185	1052.5	1189	1461.00	TSC10CA

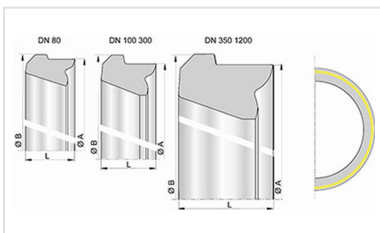
### Field of use:

- Separate sewer system and combined sewer system
- Application: gravity flow and rising main sewerage systems
- Type of effluent: domestic wastewater and rainwater
- For networks with rising main under pressure
- For effluents between pH1 and pH13

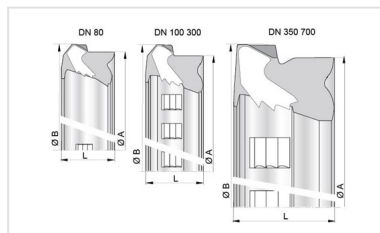
## Main characteristics:

- External and internal coating: red epoxy powder 250µm (PECR)
- Type of joint: Standard
- Standard Gasket in Nitrile
- EN 598 / CE Marking
- Declaration of performances [DoP-INTEGRAL005EN](#)
- Mark NF
- Designed according to the regulatory texts:
  - NF EN 476: general prescriptions for components used in the networks
  - NF EN 752: Conception of sewage projects
  - NF EN 1610: Reception of the works
  - CCTG: Fascicule 70 (sewage work)

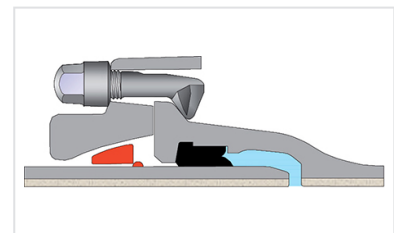
## Linked products



Nitrile STD Gasket  
DN80-2000



Gasket ViLoK® (NBR STD  
Vi) DN80-700



STD Ve joint for INTEGRAL  
STD Fittings

*The information on this sketch is, to the best of our knowledge correct at the time of printing. However Saint-Gobain are constantly looking at ways of improving their products and services therefore reserve the right to change without prior notice, any of the data shown. Any orders placed will be subject to our Standard Conditions of Sale, available on request.*