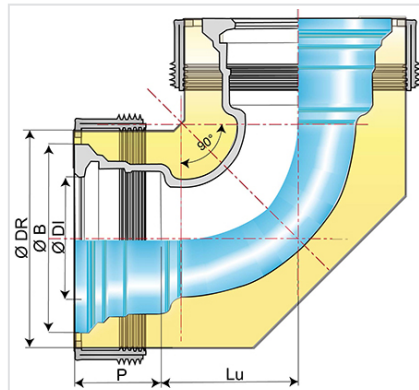


Bend 90° (1/4) ISOPAM with 2 sockets STANDARD



Angle	DN (mm)	Lu (mm)	P (mm)	ØDI (mm)	ØB (mm)	ØDR (mm)	Mass (kg)	References
90°	100	105	88	121.4	187.5	200	15.30	YSB10CA
90°	150	152.5	94	173.4	241	250	29.50	YSB15CA
90°	200	200	100	225.5	294	315	47.50	YSB20CA
90°	250	252	105	277.3	351	400	64.80	YSB25CA

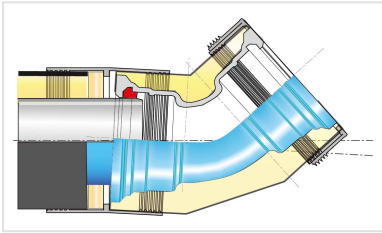
Field of use:

- Pre-insulated fittings for frost protection

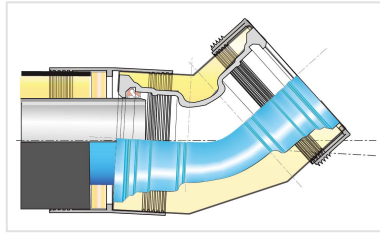
Main characteristics:

- Inside-Outside coating: Aquacoat fittings (AQB)
- EN 545
- Fittings equipped with thermal insulation (polyethylene sleeve, polyurethane foam, foam spacer, elastomer sleeve) to protect networks exposed to risks of freezing

Linked products



Kit ISOPAM Fitting +
Standard Gasket



Kit ISOPAM Fitting +
Standard Vi Gasket

The information on this sketch is, to the best of our knowledge correct at the time of printing. However Saint-Gobain are constantly looking at ways of improving their products and services therefore reserve the right to change without prior notice, any of the data shown. Any orders placed will be subject to our Standard Conditions of Sale, available on request.