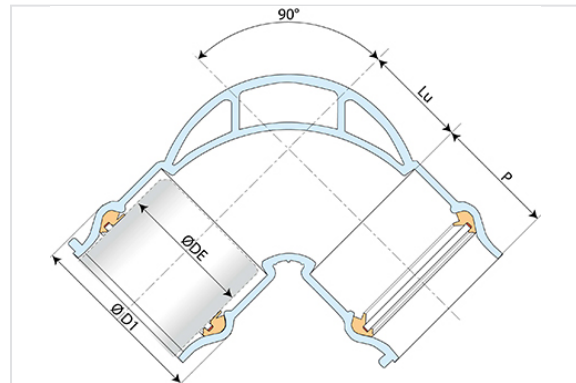


Bend 90° (1/4) IZIFIT-K with 2 sockets



Angle	DN/OD (mm)	ØDE (mm)	ØD1 (mm)	P (mm)	Lu (mm)	Mass (kg)	References
90°	63	63	96	83	65	3.30	KZL63CA
90°	140	140	177	108.5	110	9.50	KZM14CA
90°	160	160	199	114	130	11.69	KZM16CA
90°	200	200	243	127	160	16.42	KZM20CA

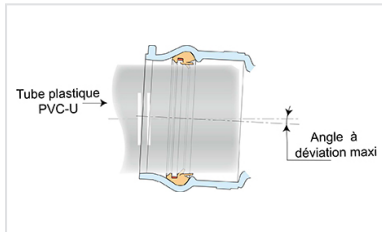
Field of use:

- Jointing of PVC-U pipes
- For potable water networks

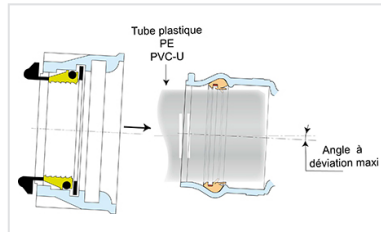
Main characteristics:

- EN 12842
- External and internal coating : Blue epoxy powder 250 microns average thickness with a minimum of 200 microns, conforming to EN 14901-1 (PECB)
- IZIFIT-K fittings are supplied with pre-fitted gaskets protected by caps
- Elastomer quality : EPDM (EN 681-1)

Linked products



IZIFIT-K Joint for plastics piping systems



IZIFIT-K anchored Vi Joint for plastics piping systems

The information on this sketch is, to the best of our knowledge correct at the time of printing. However Saint-Gobain are constantly looking at ways of improving their products and services therefore reserve the right to change without prior notice, any of the data shown. Any orders placed will be subject to our Standard Conditions of Sale, available on request.